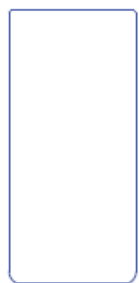
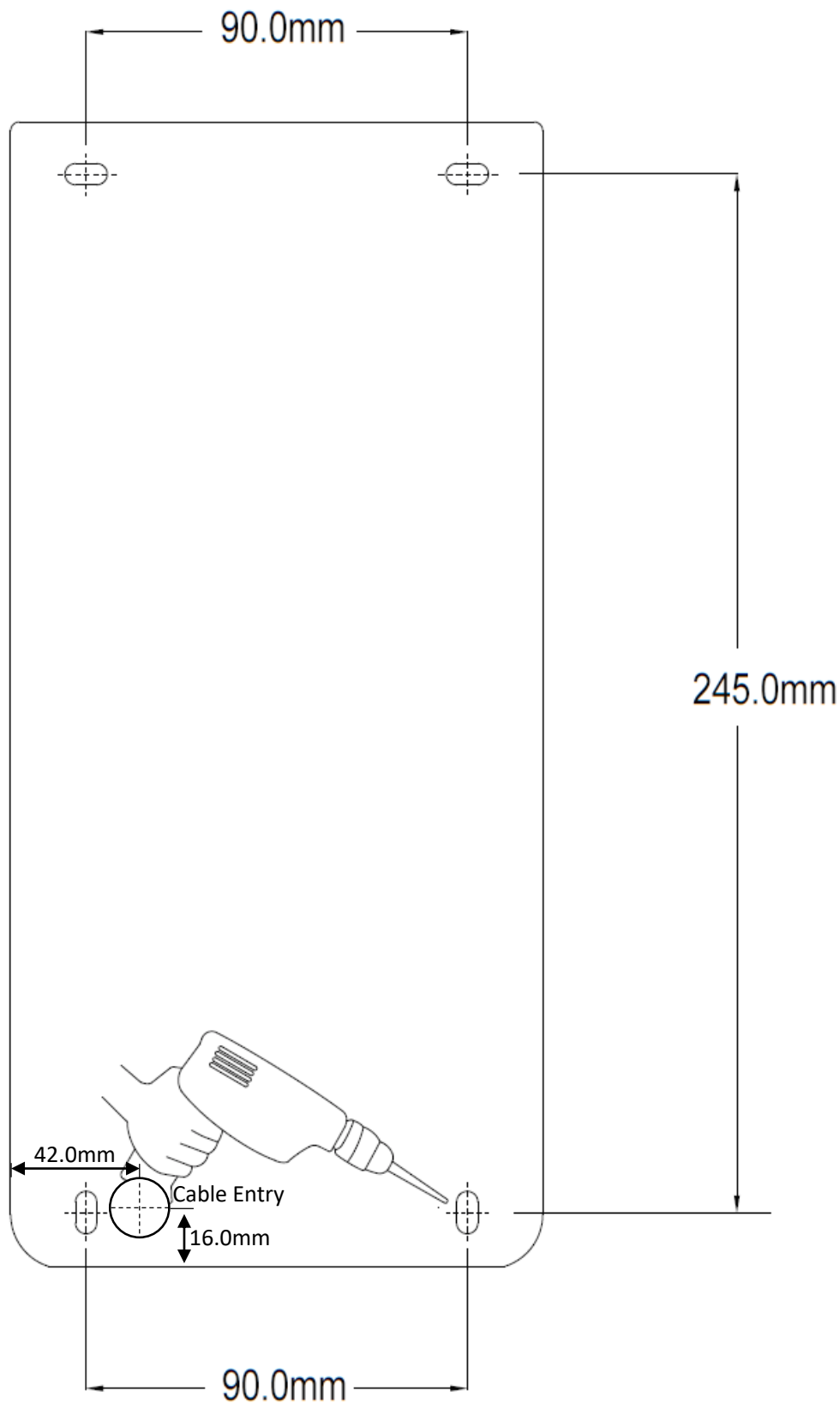


Supreme Diamond-V – Cable Entry Diagram



≤ 600mm



SPL

premium washroom products

0800 78 77 363 | office@splwashrooms.co.nz