

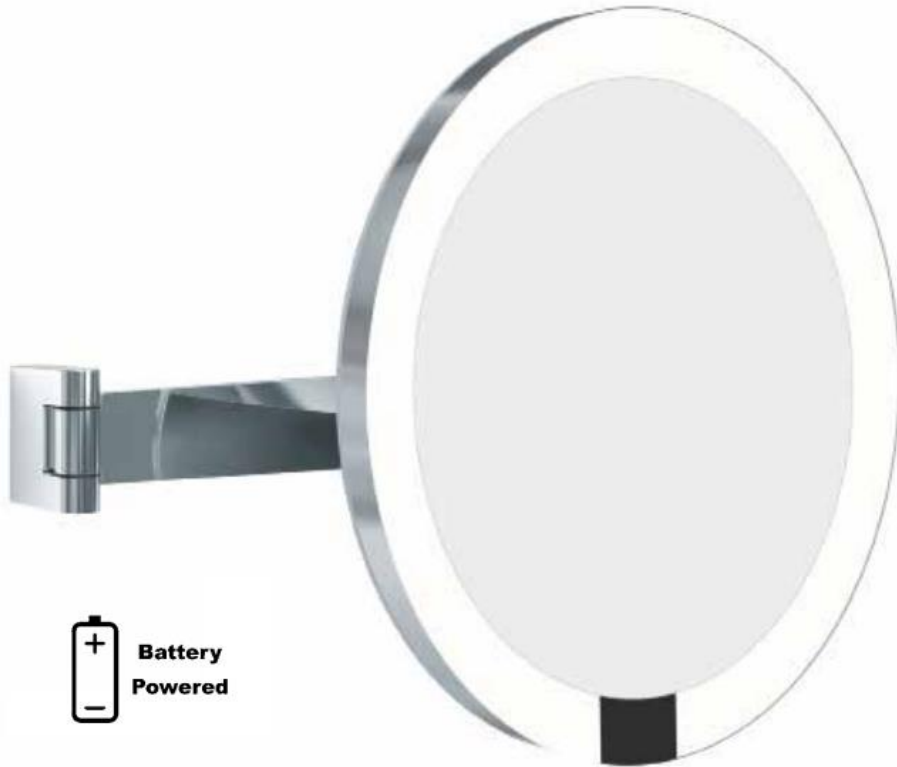
Product Details

Magnifying Mirror Lighted

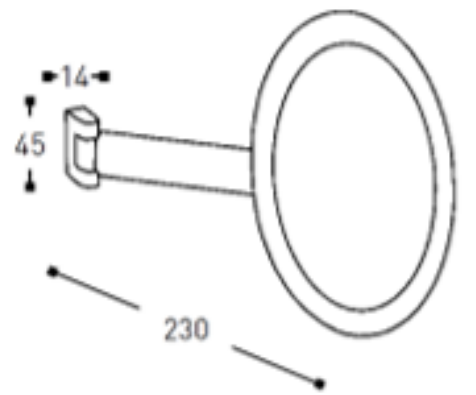
Reflection

LED INTERFACE

Product Code: ALIM020796



- Battery powered (4 x AA)
- Auto on/off by infrared sensor operational to 20cm
- After use auto shut-off after 15 sec.
- SMD – LED lighting - warm amber light
- Maintenance free LEDs – 30,000 hour lifespan
- Low power indicator
- Single arm with full pivotal adjustment
- 3 x magnification
- Translucent acrylic frame
- Dimensions: Ø 220 mm



Cleaning Instructions – Magnifying Mirrors

Mirror Lens:

Wipe down with a light solution of soap suds. Do NOT use sponges or cloths that may damage the surface. Wipe with a damp cloth. Polish with a dry soft cotton cloth.

Chrome Trim and Arms:

Do NOT use any cleaners containing acids, ammonia or abrasives. The use of such products even in a diluted form may damage the finish.