

SUPREME

NERA III



Installation
& maintenance
instructions.

General Information

- Designed for indoor use only. Do not expose to elements of nature.
- All plumbing connections must be made in accordance with AUS / NZ standards.

Warnings

- Read all instructions before attempting to install this system. It is recommended a qualified & registered plumber completes the install.
- Ensure pipe work is thoroughly flushed before installing. Flow regulating components are susceptible to debris and require additional flushing compared to a standard plumbing fixture.
- Consideration should be given to any regulations relating to an air gap, an air break or double check valve to protect against back flow.

Operating Instructions and Parts Manual

Please read carefully before attempting to assemble, install, operate or maintain the product described. Protect yourself and others by observing all safety information. Failure to comply with instructions could result in personal injury and/or property damage. Retain instructions for future reference.

Supreme NERA Lever Time Flow Tap

Supreme time flow commercial tapware. Water efficient and reliable lever operation enables effortless control, making it especially accessible for the elderly and those with reduced physical abilities. Lead free, brass composition.

Specifications

Finish	Chrome plated over lead free brass
Water Temperature	5-70°C for cold or premixed water (lead free thermostatic mixing valve available)
Control	Lever mechanical activation
Operating Pressure	50 kPa - 600 kPa / 0.5-6.0 bar (Recommended 2-4 bar)
Rate of Flow	4l/min - Flow strainer in stem
Time of Flow	8-12 seconds
Water Inlet Connection	Male threaded stem G 1/2"
Dimensions	Height 191mm, Depth 138mm, Tap Ø 46mm, Lever Ø 12mm, Hole Ø 35mm, Nosing 104mm, Discharge height 47mm
Warranty	24 Months

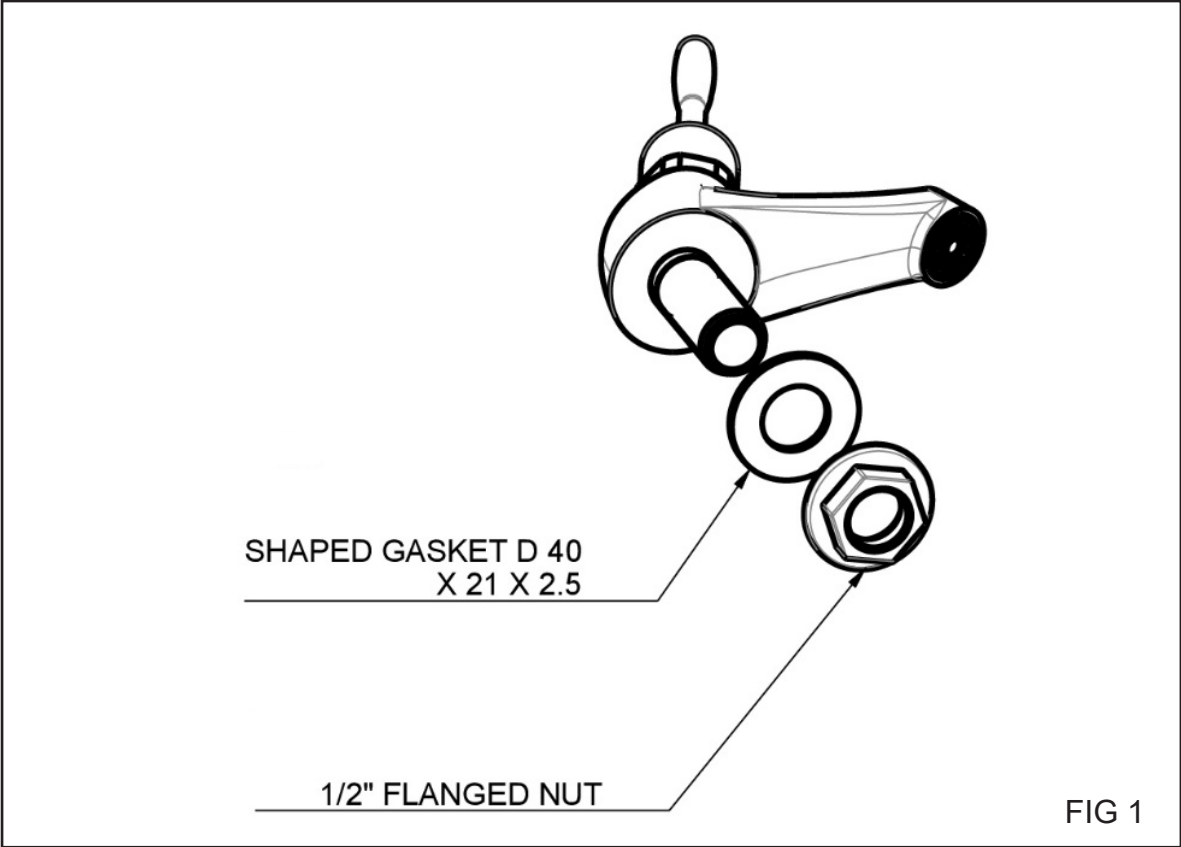
Planning

- Ensure an appropriate piping design (sizing etc). This will eliminate issues arising from flow, pressure and water hammering.
- Where appropriate install necessary inline filters, water hammering arrestors and water pressure reducing valves (recommended pressure 2 to 4 bar). This will minimise future maintenance.
- Install an angle valve to enable ease of future maintenance.

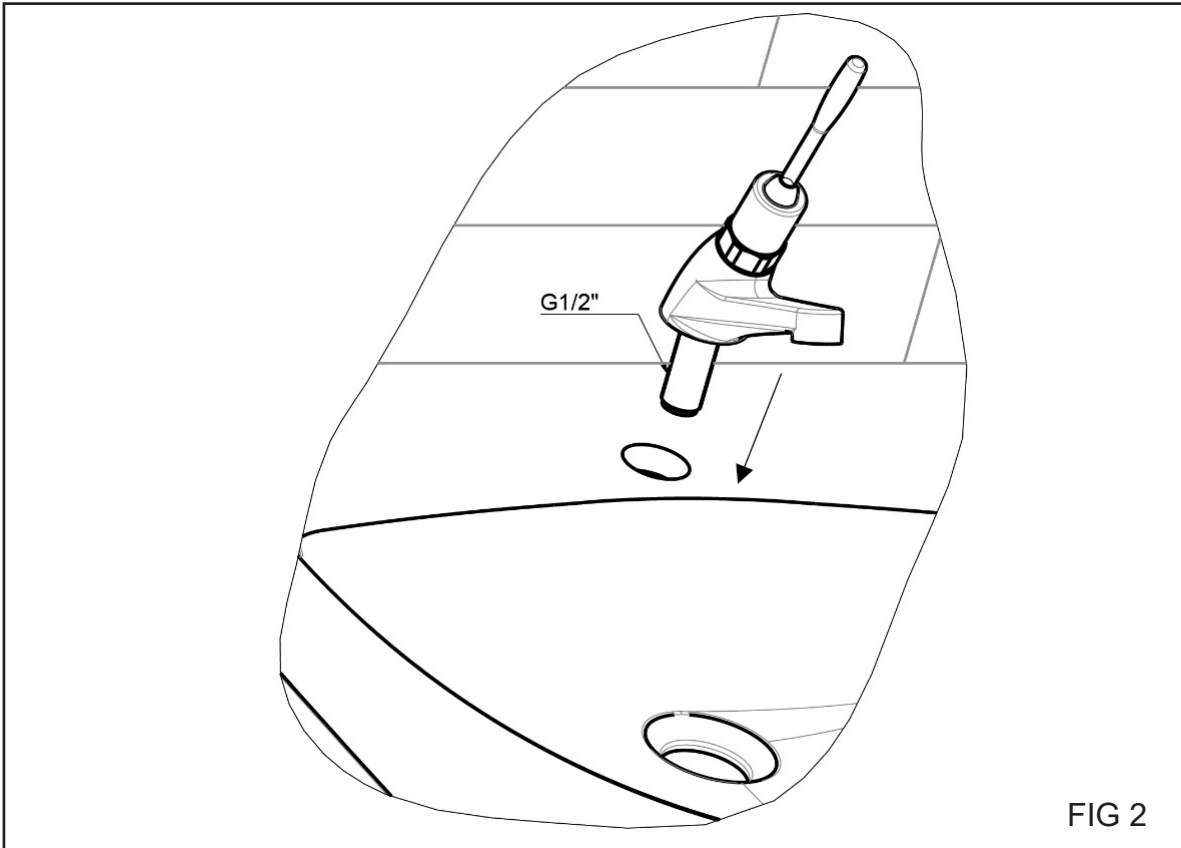
Tempered Water

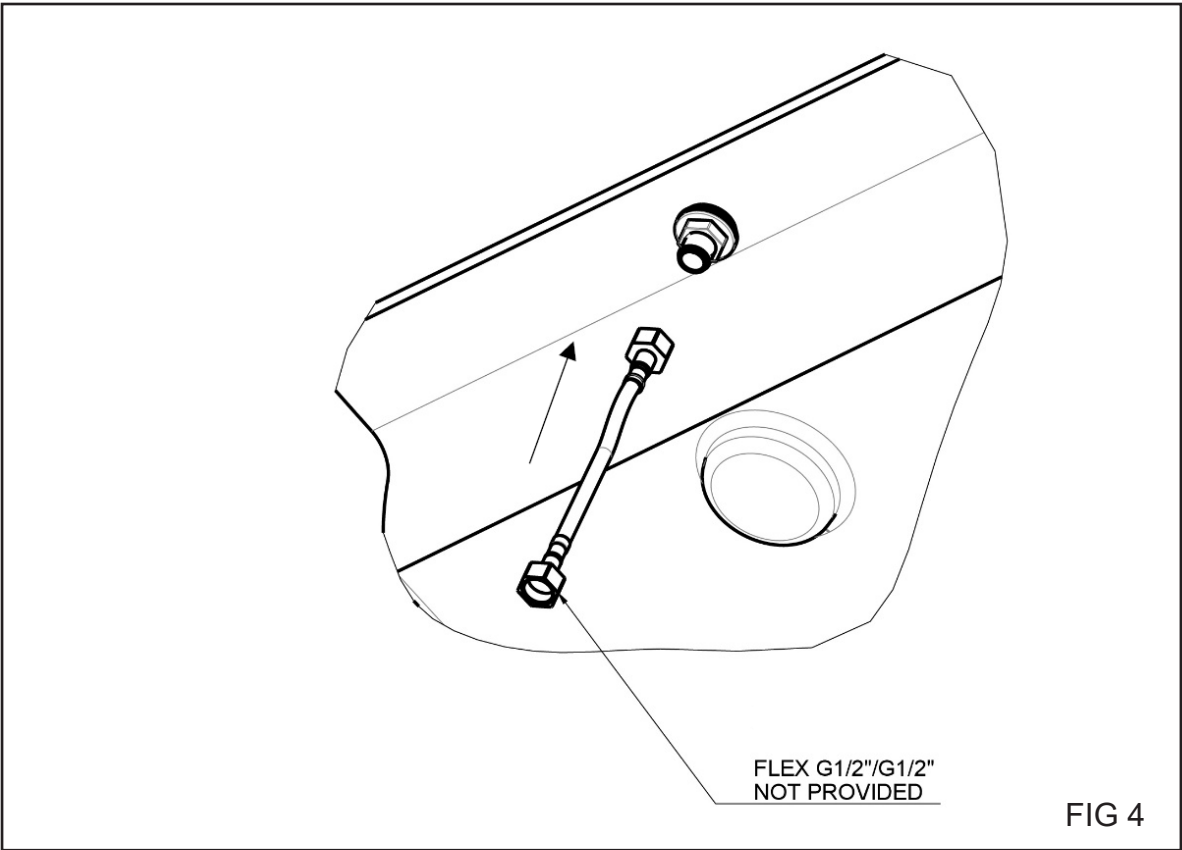
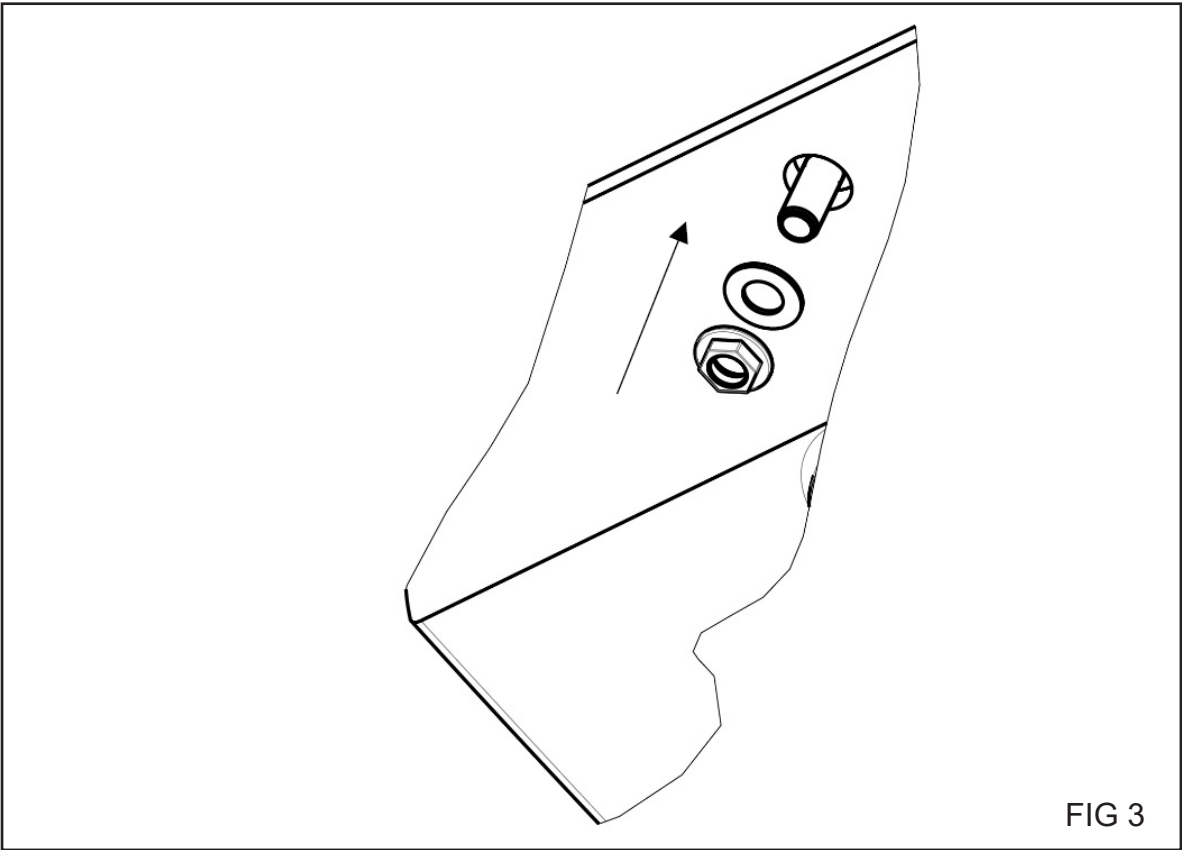
- An appropriate thermostatic mixing valve (TMV3) should be installed to ensure a safe regulated water temperature. These are available from SPL: BEN-TMV

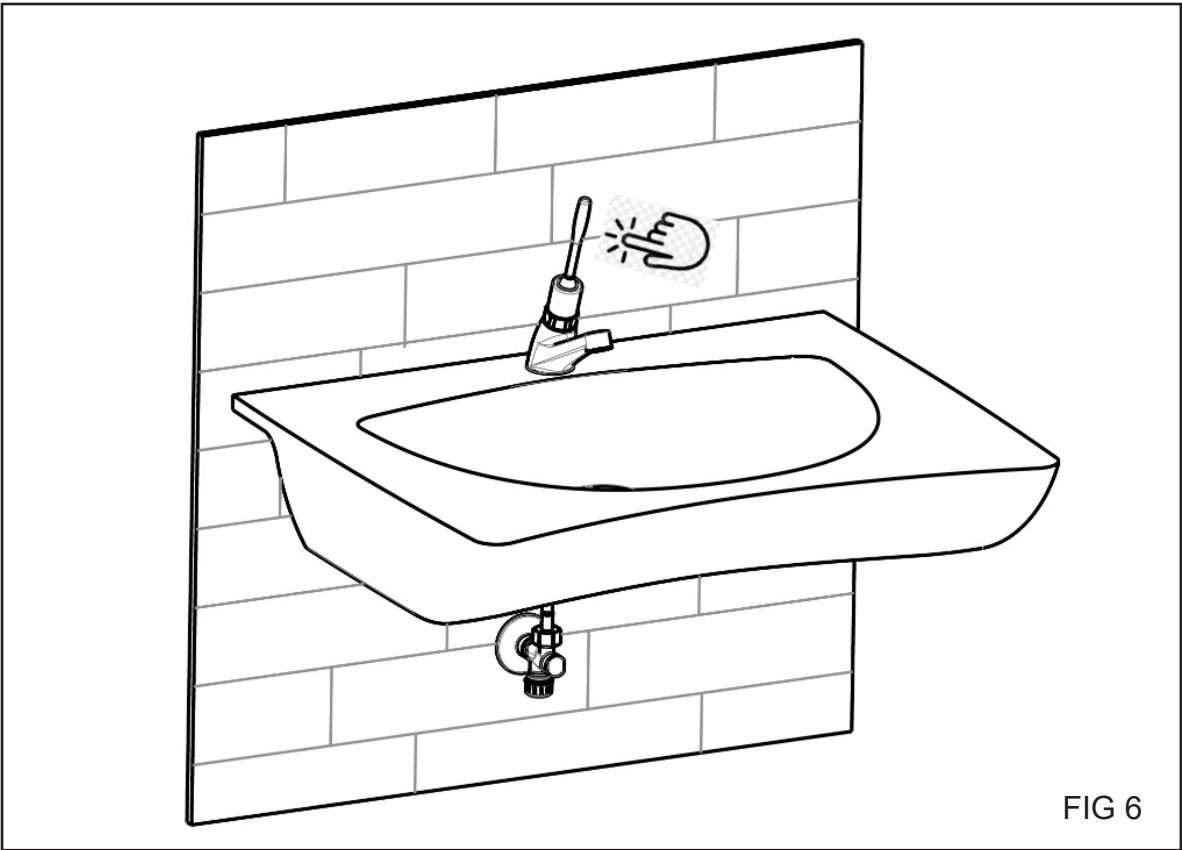
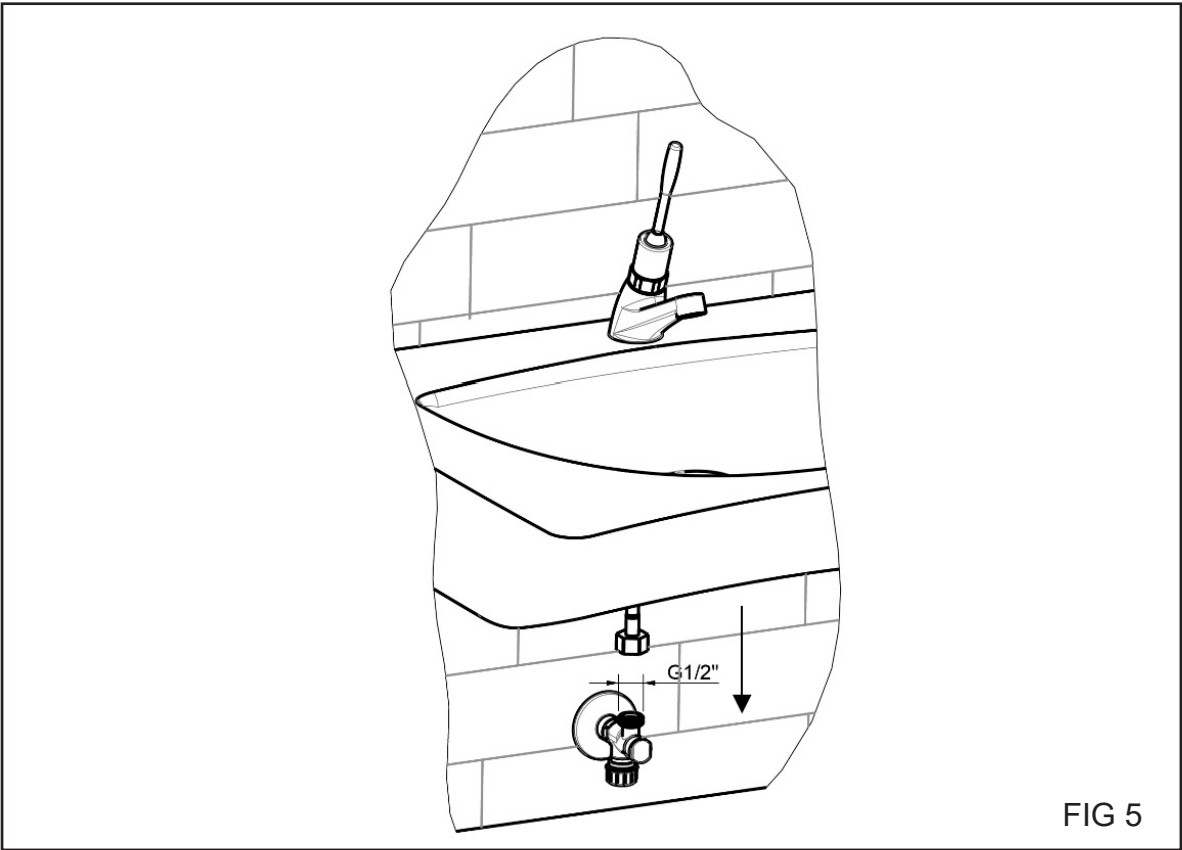
Components



Faucet Installation







Faucet Installation

1. Install ½ angle valve, stop cock or equivalent
2. Flush lines thoroughly to pass any debris
3. Cut hole in mounting surface (if required): Ø 25mm min - Ø 35mm max
4. Pass threaded stem through top of mounting surface – Fig 2.
NOTE: Seal with silicon if required to create waterproof seal between the tap and mounting surface.
5. On the underside of the mounting surface fit the gasket and flanged nut.
Tighten – Fig 3.
6. Connect stainless flex (not provided) - Fig 4.
7. Connect flex to ½" angle valve - Fig 5.
8. Turn on water supply and check all connections. Activate the tap several times to stabilise flow time - Fig 6.
NOTE: Within normal water pressure ranges, the tap will self-regulate to flow for 8-12 seconds once the button is pushed.

Important

The installer is required to ensure the waterproof seal is appropriate between the tap and the mounting surface. If in doubt regarding the seal, install with a suitable silicon.

In addition, the recessing area must be waterproof and have a drainage point, to eliminate potential water ingress.

Troubleshooting

Symptom	Possible Cause	Corrective Action
Water dribbles or trickles	a. Debris or hard water buildup in cartridge	a. Remove cartridge and clean internals including seals and time delay cups with a soft cloth & pin on internal groove b. Replace if damaged (cartridge)
Water flows too long or continual flow	a. Build up of foreign material or worn seal/seat b. Incorrect time delay cup installed	a. Remove cartridge and clean as per above. Check lip seal and seat are in good condition. Replace cartridge if damaged b. Install different time delay cup 4/6 sec, 8/12sec, 12/16sec
Water doesn't flow long enough	a. Pressure too low? b. Aerator blocked? c. Incorrect time delay cup installed	a. Check pressure; 2 - 4bar recommended b. Remove aerator and clean c. Install different time delay cup as above
Water temperature too cold/hot (if tempered)	a. Source of hot/cold water and piping arrangement b. Pressure of hot water source c. Incorrect setting on TMV	a. Check source and pressure of hot and cold water b. Eg. continuous water heater pressure. Balance the hot and cold pressure c. Adjust mixed temperature on TMV

Maintenance

This product due to its design may need some maintenance. The regularity of this will depend on its usage and the water type. If in a hard water area maintenance may be required more often.

To maintain good working order, it is recommended to clean out the white plastic cup inside the tap/mixer, specifically the fine internal groove.

1. To do this first turn off water supply
 2. Remove handle/valve using a spanner
 3. The valve will then pull from the tap/mixer
 4. The white plastic cup may come away with the valve, if not simply remove it by pulling it from the body
 5. Once removed, clean out cup and run down the groove using a pin to clear out dirt
 6. When thoroughly cleaned, replace cup, valve and tighten
- Clean faucet regularly using soapy water and a soft cloth or wet sponge
 - DO NOT clean faucet with any abrasive material or chlorine/acid-based cleaning product. This may damage the finishing of the faucet
 - DO NOT use grease on the internal cartridge

Supreme Comprehensive Warranty

Your Supreme time flow tapware is fully guaranteed against defective materials and faulty workmanship commencing from the date of sale (according to SPL's records), subject to it being installed and maintained in accordance with the manufacturer's instructions.

SPL (2021) Limited warrants that should any part of the tap fail within the given warranty period (24 months), it will be remedied by SPL. The tap should be returned to SPL (2021) Limited for all warranty claims. The cost of cartage will be payable by the customer.

Due to the significant variation in tradesman's knowledge, experience, and productivity, labour charges will NOT be accepted unconditionally. We strongly recommend contacting our office for advice before proceeding with any warranty repairs.

This warranty excludes:

- Incorrect installation, or installation that does not specifically follow the installation guidelines supplied
- Defects arising from improper installation where applicable
- Failure to follow manufacturer's maintenance instructions
- Damage / failure resulting from:
 - the use of non-authorized parts
 - authorized parts not installed in accordance with the manufacturer's instructions
 - accidental damage, negligent use, misuse, vandalism, neglect
 - damage caused either directly or indirectly by external sources (incorrect power supply, natural disaster, or insect infestation)
- Water ingress caused by property maintenance or flooding
- Negligent cleaning practices (water ingress, harmful chemical etc)

The above includes consequential damage to any other goods, furnishings, or property.

- Normal wear and tear and consumable parts (batteries etc)
- This warranty does not displace any statutory warranty in relation to the tap but any liability of SPL (2021) Limited under any statutory warranty will be limited to a replacement or repair of the tap or payment of the cost of such replacement or repair at the sole discretion of SPL (2021) Limited

Note:

- Warranty only extends to products purchased and installed in New Zealand.
- Contamination or poor water quality is not covered by product warranty.
- Damage to flow regulating components caused by inadequate flushing or excess water pressure is not covered by the product warranty.

SPL Limited
Cambridge 3434
New Zealand

p. +64 7 823 5790
e. office@splwashrooms.co.nz