



NEMO - MAINS POWER



Installation  
& maintenance  
instructions.

**SPL**

## General Information

- Designed for indoor use only. Do not expose to elements of nature.
- All plumbing and electrical connection must be made in accordance with AS/NZS standards.

## Warnings

- Read all instructions before attempting to install this system. It is recommended a qualified & registered plumber completes the install.
- Ensure pipe work is thoroughly flushed before installing the faucet (internal solenoid). Solenoid components are susceptible to debris and require additional flushing compared to a standard plumbing fixture.
- Consideration should be given to any regulations relating to an air gap, an air break or double check valve to protect against back flow.

# Operating Instructions and Parts Manual

Please read carefully before attempting to assemble, install, operate or maintain the product described. Protect yourself and others by observing all safety information. Failure to comply with instructions could result in personal injury and/or property damage. Retain instructions for future reference.

## Sanela Nemo Sensor Tap

Sensor activated tapware where cold & hot water is regulated by an integrated thermostatic mixer. High quality electronics combined with elegant aesthetics, designed for the medical industry. Intergrated safety stop on hot water incase of cold water failure.

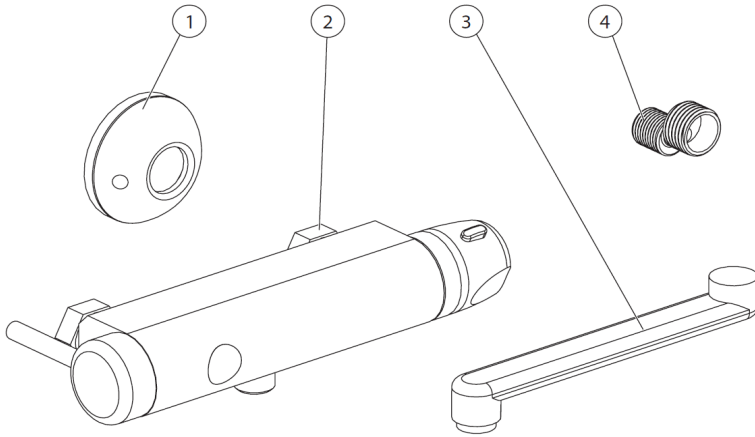
## Specifications

Finish	Chrome
Water Temperature	Cold & hot water regulated by intergrated thermostatic mixer (hot & cold pressure must be equal)
Power Supply	Mains 230V AC, 50 Hz (input) - 24V (output)
Control	Infra-red sensor
Operating Voltage	Mains 24V DC, 3W
Active Range	Standard 0.6 - 0.75 m, START/STOP program 0.25 - 7.75secs
Recommended Pressure	0.1 - 0.6 Mpa (1-6 Bar)
Rate of Flow	3.8 l/min (6 l/min or 1.9L/m available on request)
Water Inlet	Male thread G 1/2"
Dimensions	Depth 244mm, width 263mm
Warranty	24 Months

## Planning

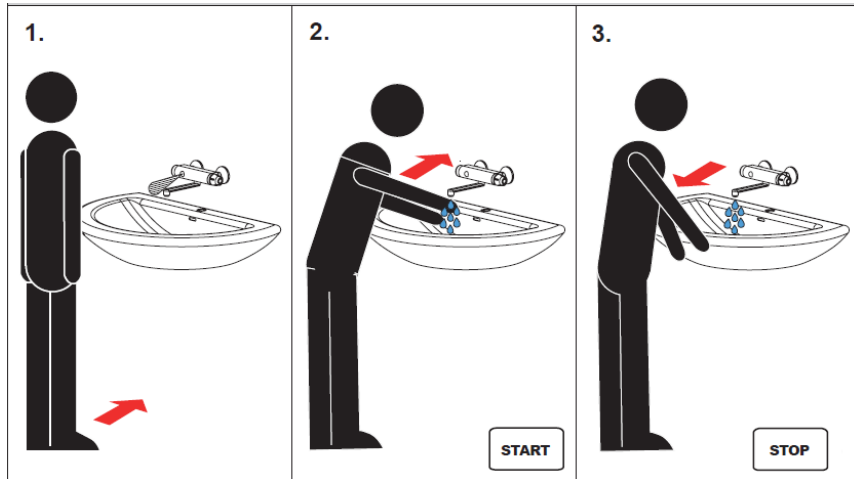
- Ensure an appropriate piping design (sizing etc). This will eliminate issues arising from flow, pressure and water hammering.
- This tap requires the hot and cold pressure to be consistent with one another to ensure the thermostatic mixer functions correctly.
- Where appropriate install necessary filters, water hammering arrestors and water pressure reducing valves (recommended pressure 1 to 6 bar). This will minimise future maintenance.
- Install an isolating valve(s) to enable ease of future maintenance.

# Components



1	Plate covers x 2
2	Faucet body x 1
3	Swivel arm x 1
4	Brass connectors x 2

# Standard Functions



1. Person comes within active range, water flows

3. Person leaves active range, water stops

sieve dimension  $\leq 90 \mu\text{m}$

0,1 - 0,6 MPa

Operating pressure range

SENSING RANGE

Active range 0.3 - 0.75

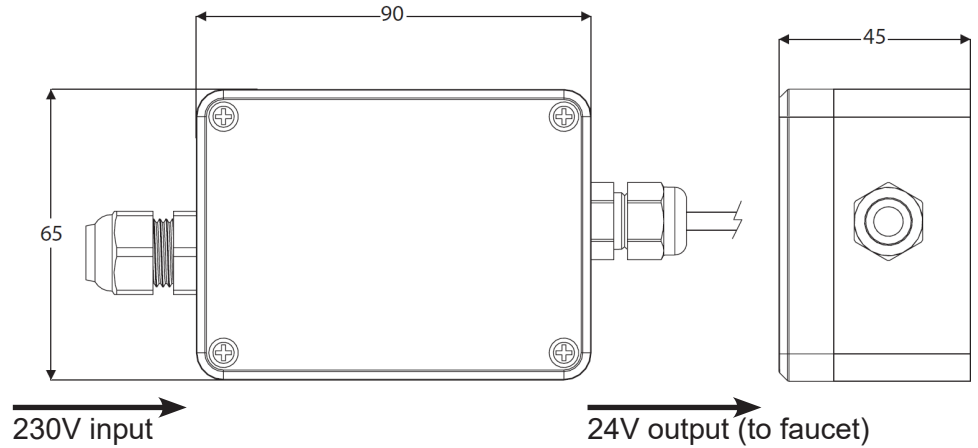
AUTOMATIC STOP

FACTORY SETTINGS 310 s.

Automatic shut off after 5mins

# External Power Supply Installation

Input	230V / 50 Hz
Output	24 V DC
IP rating	IP 55
Operating temperature	5°C - 40°C
Rated power	10W



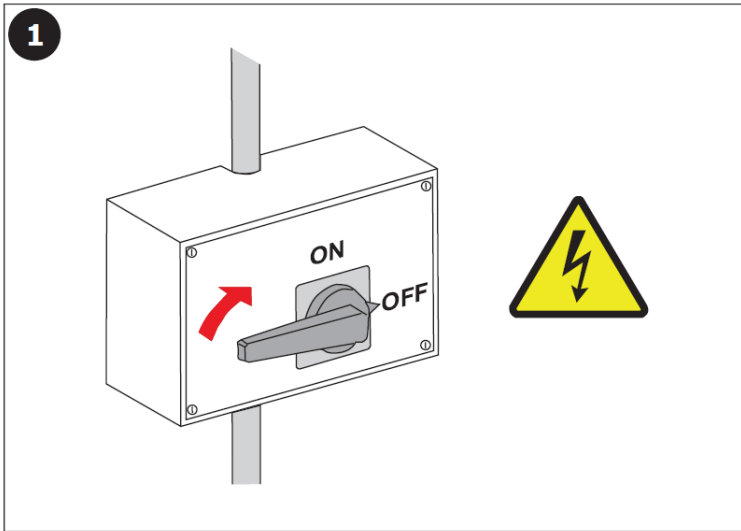
## Important

To be installed in accordance with all NZ electrical regulations. It must be carried out by a qualified professional.

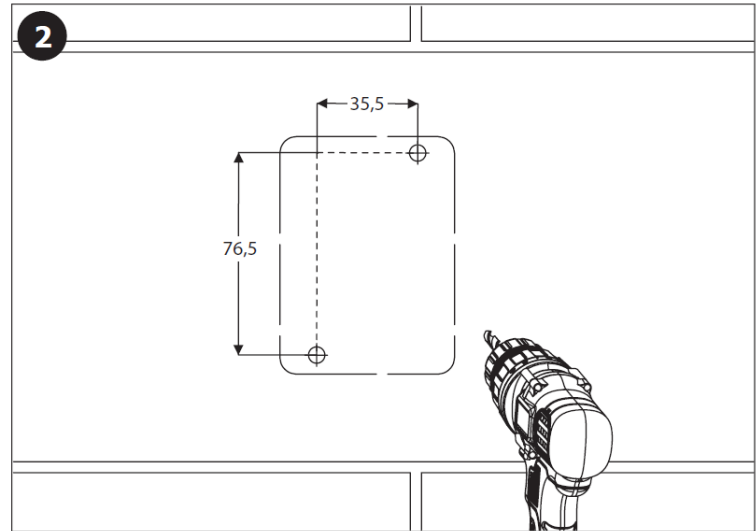
Positioning of the mounting box should be 500mm from the floor and consider:

1. Moisture ingress due to plumbing fault
2. Ongoing maintenance and accessibility

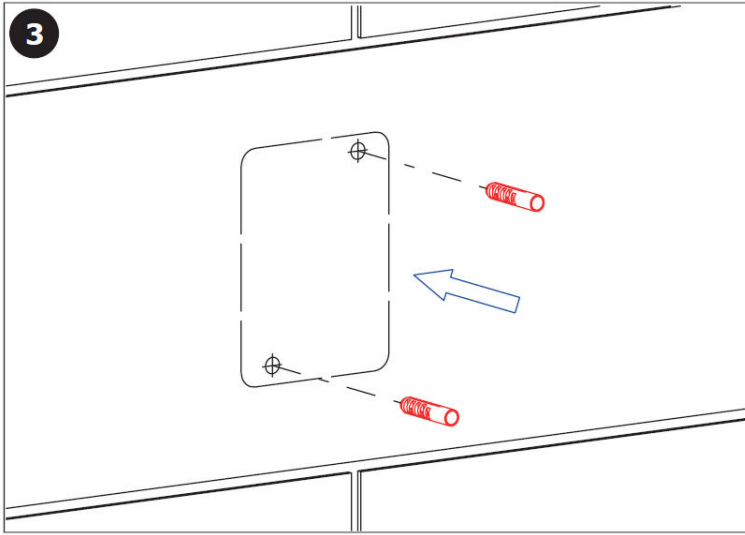
The mounting box can be surface mounted or within the service or ceiling cavity.



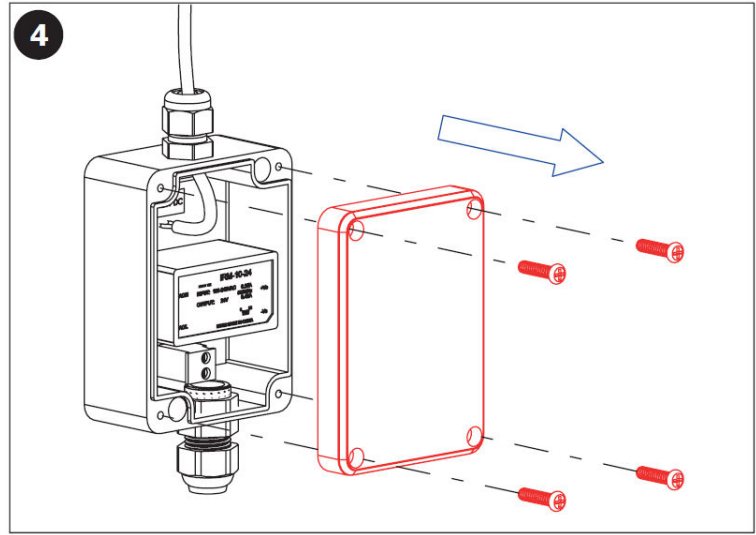
1 Ensure mains power supply is off



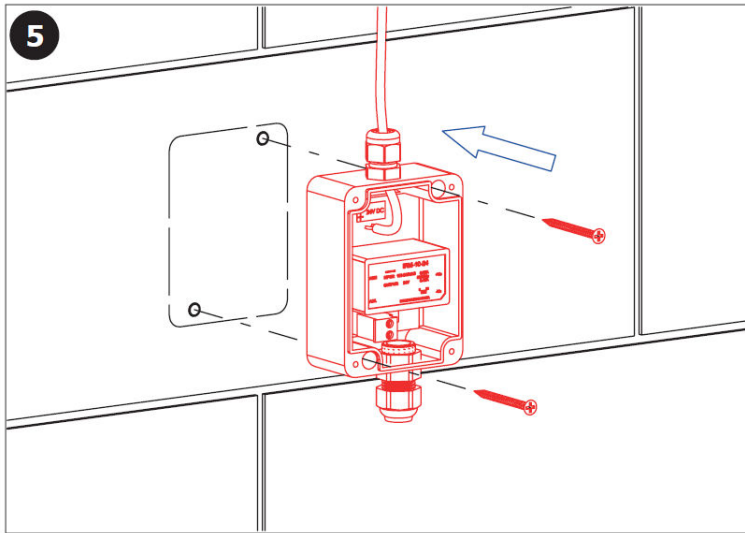
2 Mark mounting point(s) on surface



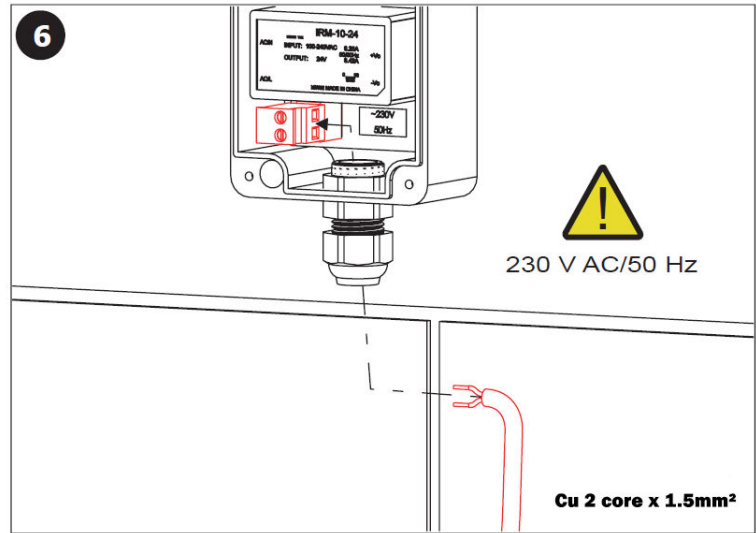
3 Drill and insert appropriate wall anchors if required



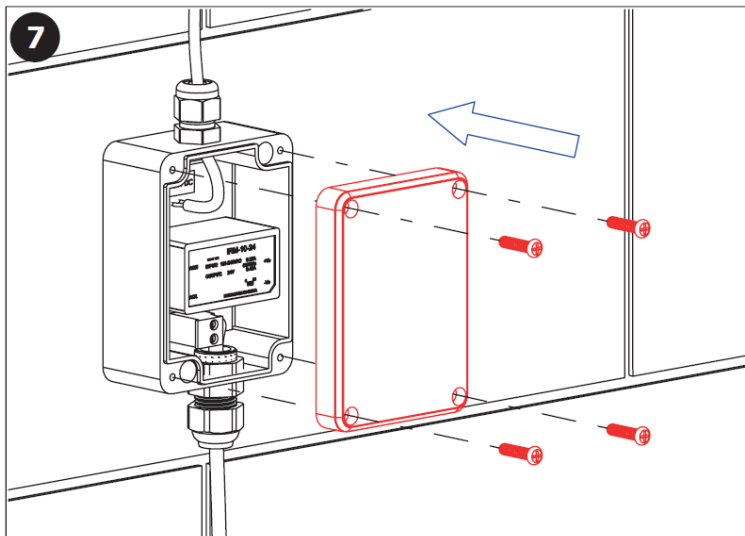
4 Remove cover from mounting box



5 Fix mounting box to wall



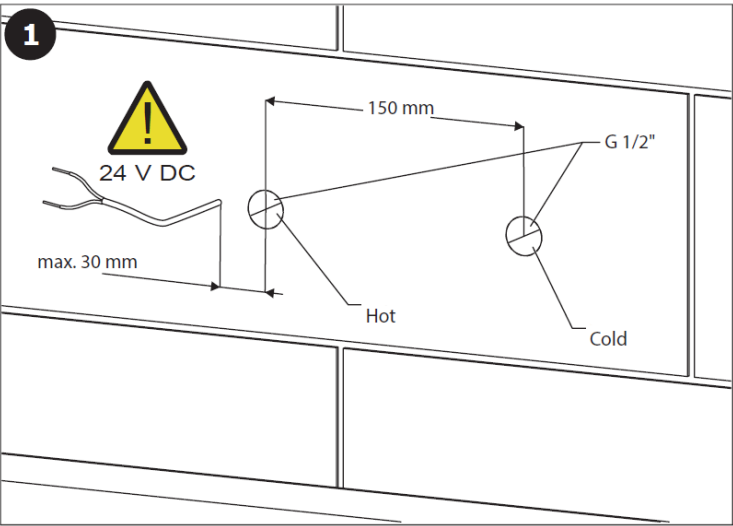
6 Pass mains (230V) power supply into mounting box via grommet and terminate accordingly



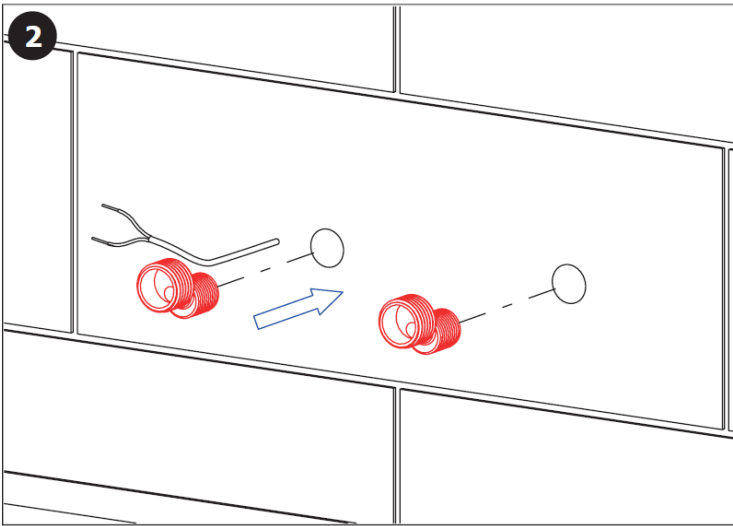
7 Reinstall cover of mounting box and ensure sealed. Tighten grommet to ensure snug around cables

**Note:** Power supply should be secured via current breaker before the external supply (not included)

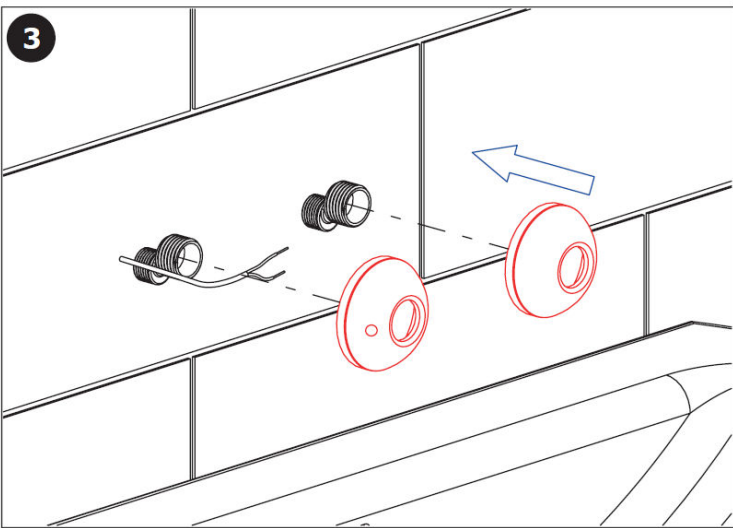
# Faucet Installation



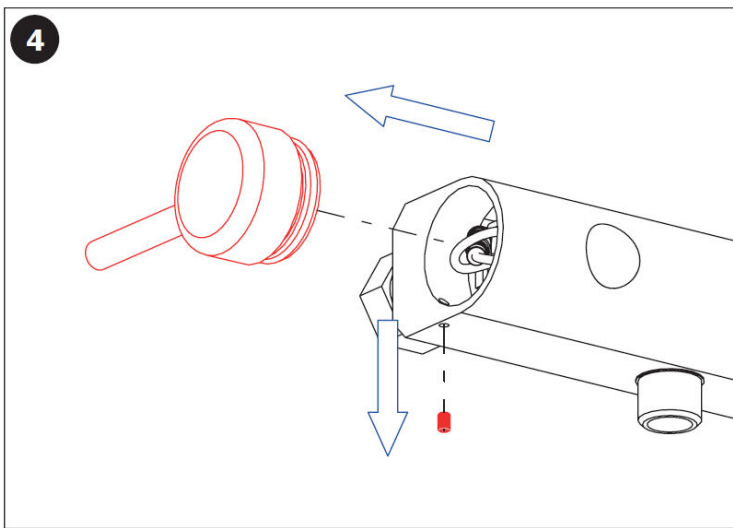
Prepare the wall for hot and cold water connectors and power connection



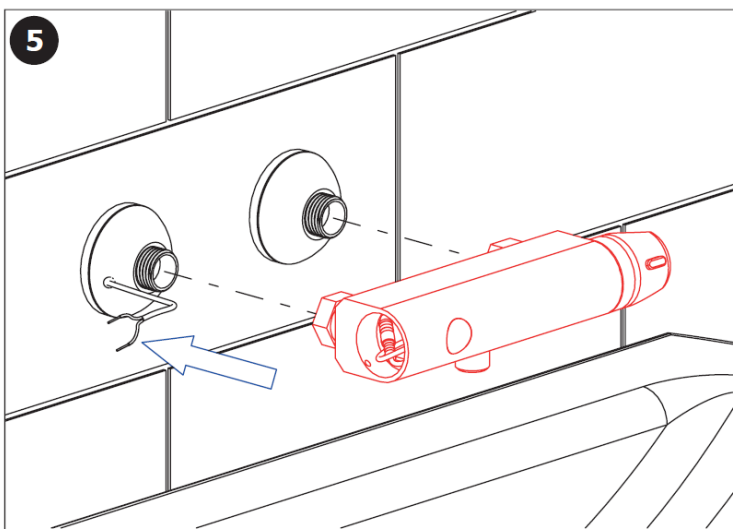
Fit off brass connectors directly to mains water supply and ensure equal pressure between hot and cold



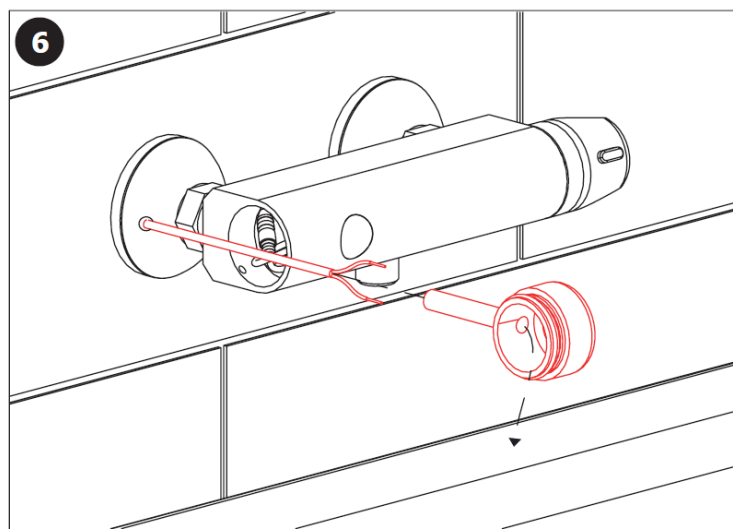
Fit cover plates over brass connectors, being sure to pull power cable through designated hole on cover plate



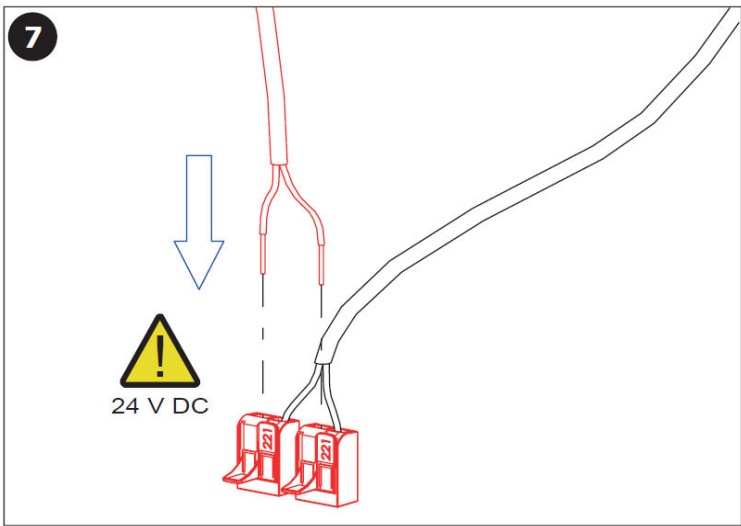
Unscrew security screw from bottom left of faucet body to release the end cap



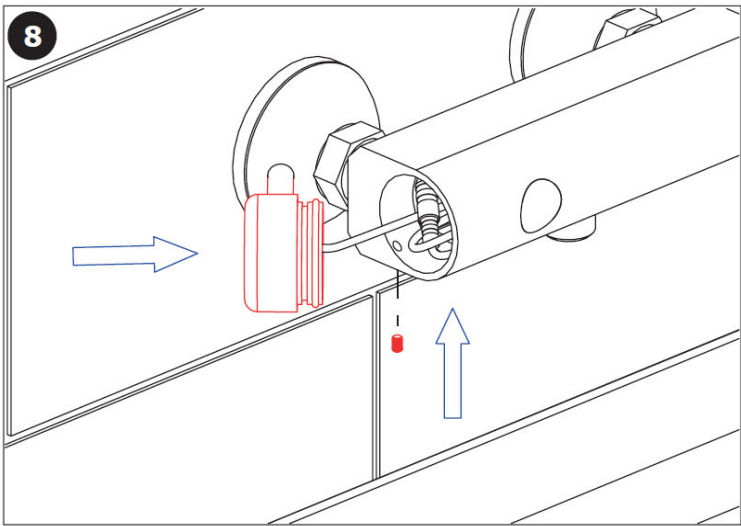
Fit faucet body to wall, being careful of power supply cable



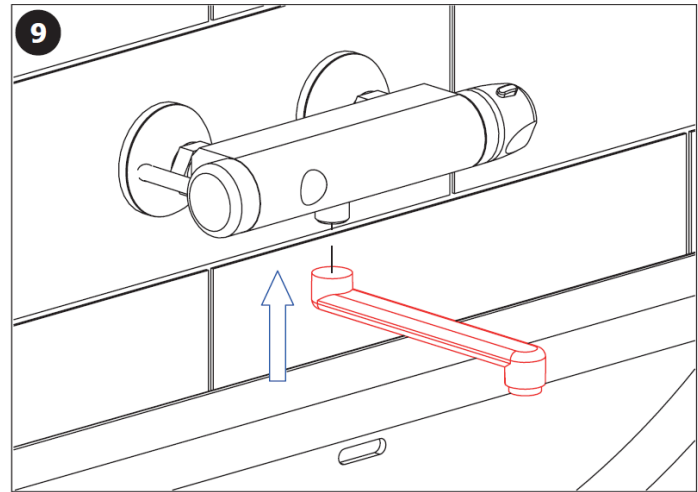
Thread power cable via end cap and pull right through



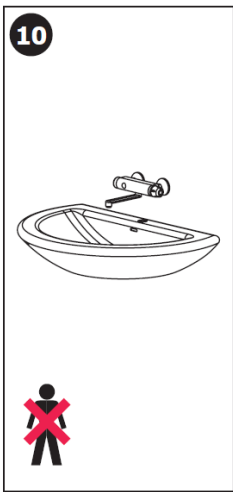
7 Connect external power (24V outlet) supply to wago connectors on faucet (Note polarity: brown to brown, white to white)



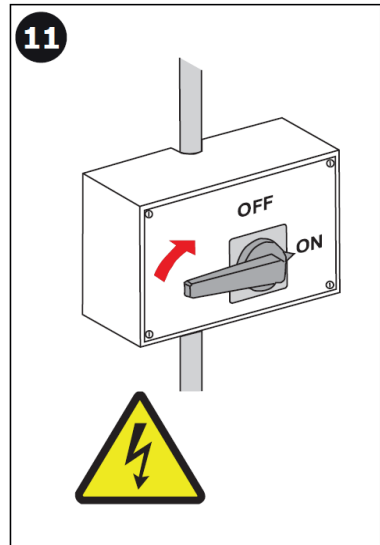
8 Replace end cap and secure security screw



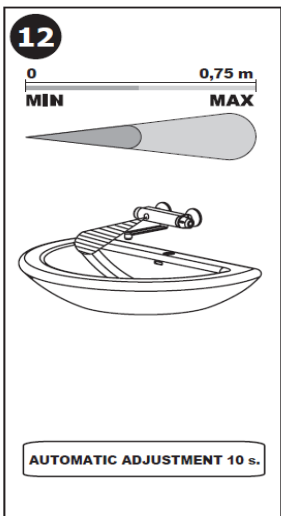
9 Fit swivel arm on the faucet body and tighten securely. Set thermostat to desired temperature



10 Do not come within active range



11 Turn power supply on. It is necessary, for the proper function, to keep the unit under constant voltage (don't connect the power supply unit behind the switch into the light circuit)



12 Once power turned on, faucet will automatically adjust sensing range during first 10 seconds. The LED on sensor will continually flash, do not come in active range during this time



# Important

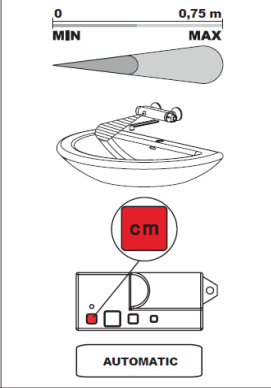
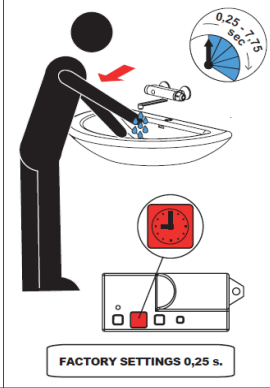
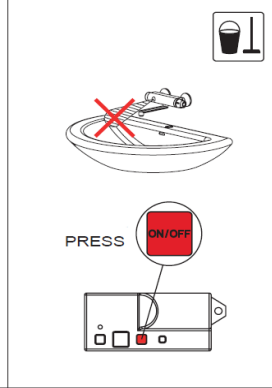
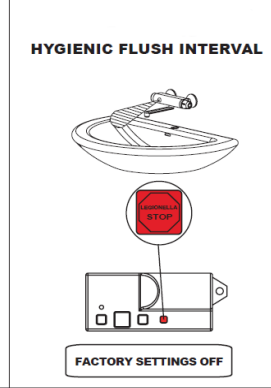
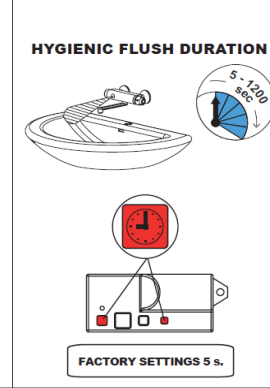
- Ensure hot and cold water pressure is equal for thermostat to operate correctly.
- Pipework is required to be flushed thoroughly prior to faucet and solenoid installation. Foreign debris may reduce level of flow and in some cases damage the solenoid valve.
- The sensor of the faucet must not be obstructed.
- Avoid positioning reflective objects or surfaces in front of the faucet sensor (when sensor is facing bottom of basin). This can cause false activation i.e. mirrors opposite faucet. With wall mounted faucets pay particular attention to the distance between the bottom of the basin and the faucet (minimum of 300mm) and the location and material of the basin waste (avoid mounting directly over the waste and/or choose non reflective options).

# Maintenance

- It is recommended that the solenoid valve and all filters be inspected for foreign debris and cleaned annually (more frequently if necessary)
- Clean faucet regularly using soapy water and a soft cloth or wet sponge
- DO NOT clean faucet with any abrasive material or chlorine/acid based cleaning product. This may damage the filter of the infrared sensor and/or the finishing of the faucet.

## Note:

If you require to modify any of the factory settings please request the Sanela remote SLD03.

 <p>SLD 03: 0,3 - 0,75 m</p>	 <p>SLD 03: 0,25 - 7,75 s.</p>	 <p>SLD 03: ON / OFF</p>	 <p>SLD 03: OFF / 6 / 8 / 12 / 24 / 72 / 168 h</p>	 <p>SLD 03: 5 - 1200 s.</p>
---	--	--	---	---

Adjustable active range

Start/Stop program adjustable  
0.25 - 7.75 secs

Sensor on / off (for cleaning purposes)

Selectable hygiene flush interval  
6 - 168h

Adjustable hygiene flush time  
5secs - 20mins

# Troubleshooting

Symptom	Possible Cause	Corrective Action
No water flow - is LED on sensor flashing red when hands are within active range?	<ul style="list-style-type: none"> <li>a. Water supply</li> <li>b. Water connections</li> <li>c. Filter is clogged</li> <li>d. Faulty solenoid</li> </ul>	<ul style="list-style-type: none"> <li>a. Ensure water at source</li> <li>b. Ensure connections</li> <li>c. Clean filter (angle valve and solenoid)</li> <li>d. Replace solenoid</li> </ul>
No water flow - LED on sensor NOT flashing when hands are within active range.	<ul style="list-style-type: none"> <li>a. Power supply</li> <li>b. Power connections to faucet (wago connectors)</li> <li>c. IR sensor damaged</li> <li>d. Faulty IR sensor</li> </ul>	<ul style="list-style-type: none"> <li>a. Ensure power at source</li> <li>b. Check all connections and polarity</li> <li>c. Replace IR sensor filter</li> <li>d. Replace IR sensor</li> </ul>
Water doesn't stop flowing	<ul style="list-style-type: none"> <li>a. Dirty IR sensor</li> <li>b. Obstruction in detection zone</li> <li>c. Water drop on sensor eye</li> <li>d. Ghost sensing due to reflection</li> <li>e. Debris in solenoid</li> </ul>	<ul style="list-style-type: none"> <li>a. Clean IR sensor</li> <li>b. Remove obstruction</li> <li>c. Wipe sensor</li> <li>d. Remove reflective surface or reposition</li> <li>e. Clean and/or replace solenoid</li> </ul>
Reduced flow rate	<ul style="list-style-type: none"> <li>a. Filter clogged</li> <li>b. Aerator clogged</li> <li>c. Water supply</li> </ul>	<ul style="list-style-type: none"> <li>a. Clean filter</li> <li>b. Clean aerator</li> <li>c. Check pressure / flow at source</li> </ul>
Water is too hot or cold	<ul style="list-style-type: none"> <li>a. Thermostat has been altered</li> <li>b. Hot &amp; cold pressure differential at inlet</li> <li>c. Hot or cold inlet filter is clogged</li> </ul>	<ul style="list-style-type: none"> <li>a. Reset thermostat to desired temperature</li> <li>b. Correct pressure to match each other (hot &amp; cold)</li> <li>c. Clean filter</li> </ul>

# Supreme Comprehensive Warranty

Your Supreme sensor tap is fully guaranteed against defective materials and faulty workmanship commencing from the date of sale (according to SPL's records), subject to it being installed and maintained in accordance with the manufacturer's instructions.

SPL (2021) Limited warrants that should any part of the sensor tap fail within the given warranty period (24 months), it will be remedied by SPL. The tap should be returned to SPL (2021) Limited for all warranty claims. The cost of cartage will be payable by the customer.

This warranty excludes:

- Incorrect installation, or installation that does not specifically follow the installation guidelines supplied
- Failure to follow manufacturer's maintenance instructions
- Damage/Failure resulting from:
  - the use of non-authorized parts
  - authorised parts not installed in accordance with the manufacturer's instructions
  - accidental damage, negligent use, misuse, vandalism, neglect
  - damage caused either directly or indirectly by external sources (incorrect power supply, natural disaster, or insect infestation)
- Water ingress caused by property maintenance or flooding
- Negligent cleaning practices (water ingress, harmful chemical etc)

*The above includes consequential damage to any other goods, furnishings, or property.*

- Normal wear and tear and consumable parts (batteries etc)
- This warranty does not displace any statutory warranty in relation to the dispenser but any liability of SPL (2021) Limited under any statutory warranty will be limited to a replacement or repair of the dispenser or payment of the cost of such replacement or repair at the sole discretion of SPL (2021) Limited

Note:

- Warranty only extends to products purchased and installed in New Zealand.
- Contamination or poor water quality is not covered by product warranty.
- Damage to solenoid caused by inadequate flushing or excess water pressure is not covered by the product warranty.

SPL Limited  
PO Box 437, Cambridge 3450  
New Zealand

p. +64 7 823 5790  
e. [office@splwashrooms.co.nz](mailto:office@splwashrooms.co.nz)