


SANELA[®]



TOILET FLUSH CONTROL

Sensor Operated
Hygienic & Controls Odour
Adjustable Flushing Time



Touchless Flush Control

System reacts to the user attendance within active range at a maximum distance of 0.7m, minimum stay time is 7.5 secs.

Hygienic & Controls Odour

Keeps toilets fresh without the need for human intervention. Automatic janitor flush after 24 hours of non-use.

Courtesy Flush

Water only flows after the user leaves active range.

European Design & Manufacture

Long standing European manufacturer - high quality electronics combined with elegant aesthetics.



Maintain hygiene and be environmentally friendly with this leading-edge touchless flushing technology.

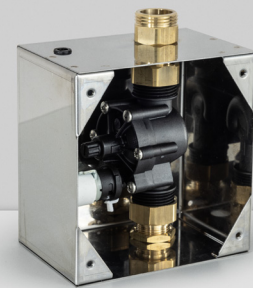
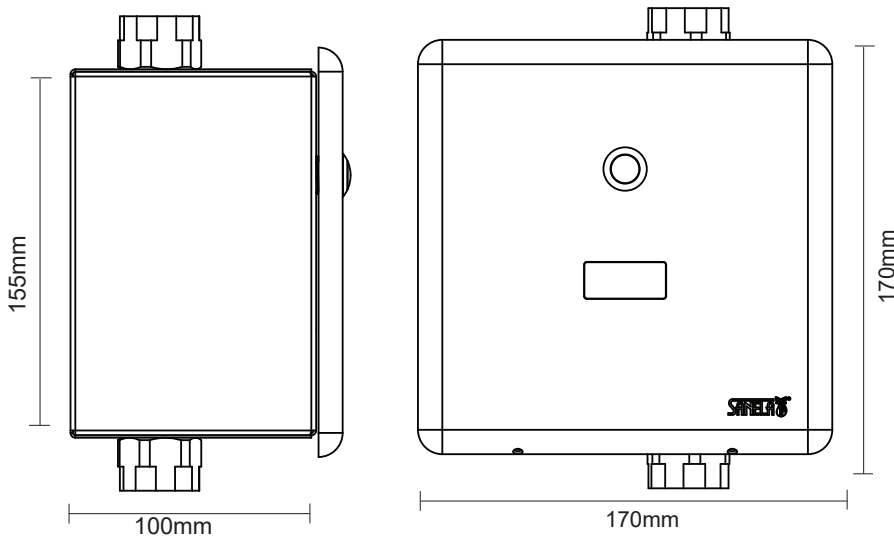
Non touch, passive infrared detects and responds to movement to operate flush only after the user has left the active range and will prevent the spread of germs and bacteria in the washroom.

Janitor Flush every 24 hours maintains hygiene when bathroom is out of use.



Stainless steel cover with electronics

Dimensions



Mounting box with brass screw coupling, electromagnetic valve and ball valve

Specifications

Supply Specification

Stainless steel cover with electronics, stainless steel mounting box with brass screw coupling and electromagnetic valve, inlet fitting with a rubber seal

Power Supply

Mains - 230V AC, 50Hz (input) - 24V DC (output)

Location

Wall mounted above the toilet

Control

Infra-red sensor

Stainless Steel Cover

Dimensions: 170 x 170 x 10mm

Mounting Box

Dimensions: 145 x 155 x 100mm

Operating Voltage

24V DC, 7W

Active Range

0.6- 0.75m - system reacts to user attendance in active range (0.7m) for min stay time of 7.5 - 7.75secs

Flush Cycles

Short Flush: (2s) min stay time 7.75 secs, max 45 secs

Long Flush: (5s) min stay time 45 secs (adjustable long flush 0.5 - 15.5 secs)

Manual Flush: (cleaning)

Hygiene Flush: 24hrs after last use

Recommended Flow Pressure

0.15 - 0.6 Mpa (1.5-6 Bar)

Rate of Flow

70 l/min @ 0.15 MPa (inf. data)

Water Inlet

Ø min 32mm (PN 16) Male thread G 1 "

Water Outlet

Male thread G 1 "

Warranty

24 months

Product Code

STI01AC