



Hygienic Touch-Free  
Water Efficient and Reliable  
Cold or Pre-Mixed Water



**Infrared Automatic Technology**

Intelligent automatic logic system sensor controls the flow, water starts / stops when hands are in active range. Adjustable sensing distance and time delay can be set.

**European Design and Manufacture**

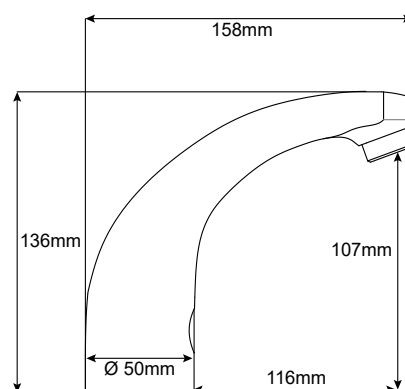
Long standing European manufacturer- high quality electronics combined with elegant aesthetics.

**Automatic Water Stop Functionality**

Perfect in areas where control of water usage is necessary, a handy setting allowing water to cease supply after 5 minutes of continuous flow.

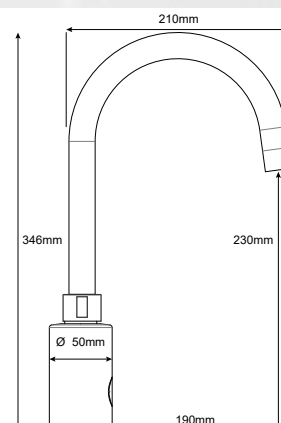
# Arc

<b>Supply Specification</b>	Faucet with electronics, electromagnetic valve, connecting hoses, angle valve with filter
<b>Finish</b>	Chrome
<b>Water Temperature</b>	For cold or premixed water (thermostatic mixing valve available)
<b>Power Supply</b>	Mains – 230V AC, 50 Hz (input) – 24V (output)
<b>Control</b>	Infrared sensor
<b>Voltage</b>	Mains 24V DC, 7W
<b>Active Range</b>	Standard 0.13 - 0.19 m, START / STOP program 0.25 - 7.75 secs
<b>Recommended Flow Pressure</b>	0.1 - 0.6 Mpa (1-6 Bar)
<b>Rate of Flow</b>	3.8 l/min (6 l/min or 1.9L/m available on request)
<b>Water Inlet</b>	Male thread G 1/2"
<b>Dimensions</b>	Height 136mm, Depth 158mm, Tap Ø 50mm, Hole Ø 35mm, Nosing 116mm, Discharge height 107mm
<b>Warranty</b>	24 Months
<b>Product Code</b>	SST01AC (Mains)



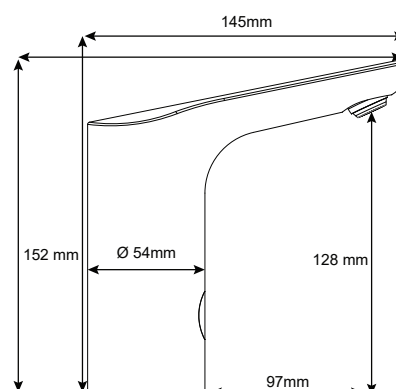
# Husa

<b>Supply Specification</b>	Faucet with electronics, electromagnetic valve, Y-piece, connecting hoses, angle valve with filter
<b>Finish</b>	Chrome
<b>Water Temperature</b>	For cold or premixed water (thermostatic mixing valve available)
<b>Power Supply</b>	Mains – 230V AC, 50 Hz (input) – 24V (output) Battery – 6V (4x AA alkaline batteries)
<b>Control</b>	Infrared sensor
<b>Voltage</b>	Mains – 24V DC, 14W, - Battery 6V, 6W
<b>Active Range</b>	Standard 0.2 - 0.26 m, START / STOP program 0.25 - 7.75 secs
<b>Recommended Flow Pressure</b>	0.1 - 0.6 Mpa (1-6 Bar)
<b>Rate of Flow</b>	3.8 l/min (6 l/min or 1.9L/m available on request)
<b>Water Inlet</b>	Male thread G 1/2"
<b>Dimensions</b>	Height 346mm, Depth 210mm, Tap Ø 50mm, Hole Ø 35mm, Nosing 190mm, Discharge height 230mm
<b>Warranty</b>	24 Months
<b>Product Code</b>	SST08AC (Mains) SST08DC (Battery)



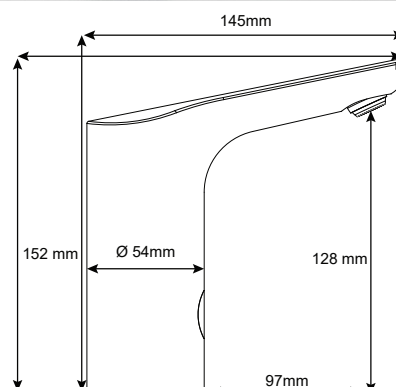
# Austere

<b>Supply Specification</b>	Faucet with electronics, electromagnetic valve, connecting hoses, angle valve with filter
<b>Finish</b>	Chrome
<b>Water Temperature</b>	For cold or premixed water (thermostatic mixing valve available)
<b>Power Supply</b>	Mains – 230V AC, 50 Hz (input) – 24V (output) Battery – 6V (4x AA alkaline batteries)
<b>Control</b>	Infrared sensor
<b>Voltage</b>	Mains 24V DC, 7W – Battery 6V, 3W
<b>Active Range</b>	Standard 0.13 - 0.19 m, START / STOP program 0.25 - 7.75 secs
<b>Recommended Flow Pressure</b>	0.1 - 0.6 Mpa (1-6 Bar)
<b>Rate of Flow</b>	3.8 l/min (6 l/min or 1.9L/m available on request)
<b>Water Inlet</b>	Male thread G 1/2"
<b>Dimensions</b>	Height 152mm, Depth 145mm, Tap Ø 54mm, Hole Ø 35mm, Nosing 97mm, Discharge height 128mm
<b>Warranty</b>	24 Months
<b>Product Code</b>	SST56AC (Mains) SST56DC (Battery)



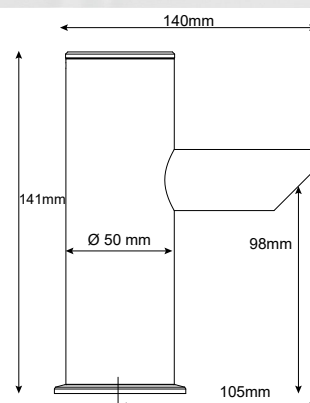
# Austere - Black

<b>Supply Specification</b>	Faucet with electronics, electromagnetic valve, connecting hoses, angle valve with filter
<b>Finish</b>	Matte black powder coat over brass
<b>Water Temperature</b>	For cold or premixed water (thermostatic mixing valve available)
<b>Power Supply</b>	Mains – 230V AC, 50 Hz (input) – 24V (output)
<b>Control</b>	Infrared sensor
<b>Voltage</b>	Mains 24V DC, 7W
<b>Active Range</b>	Standard 0.13 - 0.19 m, START / STOP program 0.25 - 7.75 secs
<b>Recommended Flow Pressure</b>	0.1 - 0.6 Mpa (1-6 Bar)
<b>Rate of Flow</b>	3.8 l/min (6 l/min or 1.9L/m available on request)
<b>Water Inlet</b>	Male thread G 1/2"
<b>Dimensions</b>	Height 152mm, Depth 145mm, Tap Ø 54mm, Hole Ø 35mm, Nosing 97mm, Discharge height 128mm
<b>Warranty</b>	24 Months
<b>Product Code</b>	SST56ACB (Mains)



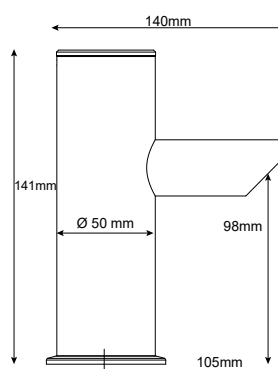
# Spartan

<b>Supply Specification</b>	Faucet with electronics, electromagnetic valve, connecting hoses, angle valve with filter
<b>Finish</b>	Stainless steel construction
<b>Water Temperature</b>	For cold or premixed water (thermostatic mixing valve available)
<b>Power Supply</b>	Mains – 230V AC, 50 Hz (input) – 24V (output)
<b>Control</b>	Infrared sensor
<b>Voltage</b>	Mains 24V DC, 3W
<b>Active Range</b>	Standard 0.13 - 0.19 m, START / STOP program 0.25 - 7.75 secs
<b>Recommended Flow Pressure</b>	0.1 - 0.6 Mpa (1-6 Bar)
<b>Rate of Flow</b>	3.8 l/min (6 l/min or 1.9L/m available on request)
<b>Water Inlet</b>	Male thread G 1/2"
<b>Dimensions</b>	Height 141mm, Depth 140mm, Tap Ø 50mm, Hole Ø 35mm, Nosing 105mm, Discharge height 98mm
<b>Warranty</b>	24 Months
<b>Product Code</b>	SST91AC (Mains)



# Spartan Piezo

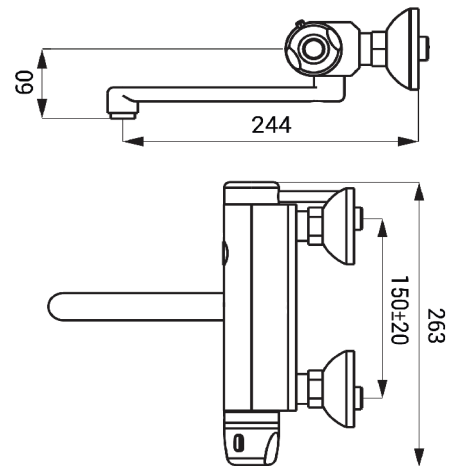
<b>Supply Specification</b>	Faucet with electronics, electromagnetic valve, connecting hoses, angle valve with filter
<b>Finish</b>	Stainless steel construction
<b>Water Temperature</b>	For cold or premixed water (thermostatic mixing valve available)
<b>Power Supply</b>	Mains – 230V AC, 50 Hz (input) – 24V (output)
<b>Control</b>	Activation via soft touch Piezo button (10 second auto shut off)
<b>Voltage</b>	Mains 24V DC, 3W
<b>Active Range</b>	N/A
<b>Recommended Flow Pressure</b>	0.1 - 0.6 Mpa (1-6 Bar)
<b>Rate of Flow</b>	3.8 l/min (6 l/min or 1.9L/m available on request)
<b>Water Inlet</b>	Male thread G 1/2"
<b>Dimensions</b>	Height 157mm, Depth 140mm, Tap Ø 50mm, Hole Ø 35mm, Nosing 105mm, Discharge height 98mm
<b>Warranty</b>	24 Months
<b>Product Code</b>	SST91ACP (Mains)



# Nemo

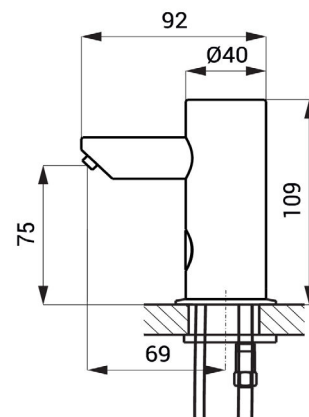
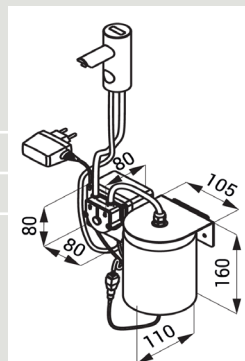
<b>Supply Specification</b>	Faucet with swivel spout, electronics, thermostat & electromagnetic valve, rosette (2 pcs.), chrome cover (2 pcs.), filter (2 pcs.), allen key
<b>Finish</b>	Chrome
<b>Temperature Regulation</b>	Cold & hot water regulated by intergrated thermostatic mixer (hot & cold pressure must be equal)
<b>Power Supply</b>	Mains – 230V AC, 50 Hz (input) – 24V (output)
<b>Control</b>	Infrared sensor
<b>Voltage</b>	Mains – 24V DC, 3W
<b>Active Range</b>	Standard 0.6 - 0.75 m, START / STOP program 0.25 - 7.75 secs
<b>Recommended Flow Pressure</b>	0.1 - 0.6 Mpa (1-6 Bar)
<b>Rate of Flow</b>	3.8 l/min (6 l/min or 1.9L/m available on request)
<b>Water Inlet</b>	Male thread G 1/2"
<b>Dimensions</b>	Depth 244mm, Width 263mm
<b>Warranty</b>	24 Months
<b>Product Code</b>	SST25AC

**SANELA** 



# Spartan Soap

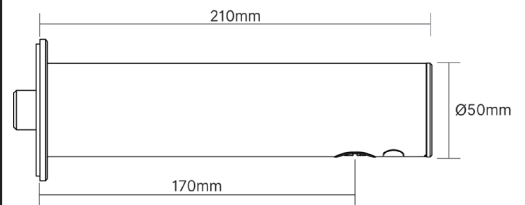
<b>Supply Specification</b>	Stainless steel spout with electronics, inlet hose, peristaltic pump for liquid soap and container for liquid soap 1l
<b>Finish</b>	Stainless steel construction
<b>Power Supply</b>	Mains – 230V AC, 50 Hz (input) – 24V (output)
<b>Control</b>	Infrared sensor
<b>Voltage</b>	Mains 24V DC, 3W
<b>Active Range</b>	0.14 - 0.2m START/STOP programme 1.3 - 13secs
<b>Dispenser Type</b>	Refillable liquid soap (1 litre)
<b>Recommended Soap Viscosity</b>	10 mPa*s - 5000 mPa*s (don't use chemical solvents and disinfectant)
<b>Dimensions</b>	Height 109mm, Depth 92mm, Tap Ø 40mm, Hole 32-34mm, Nosing 69mm, Discharge height 75mm
<b>Warranty</b>	24 Months
<b>Product Code</b>	SSS91AC (Mains)



**SPL**

# Spartan Wall Mount

<b>Supply Specification</b>	Faucet with electronics, electromagnetic valve, mounting plate, allen key
<b>Finish</b>	Stainless steel construction
<b>Water Temperature</b>	For cold or premixed water (thermostatic mixing valve available)
<b>Power Supply</b>	Mains – 230V AC, 50 Hz (input) – 24V (output) Battery - 6V (4x AA alkaline batteries)
<b>Control</b>	Infrared sensor
<b>Voltage</b>	Mains 24V DC, 3W - Battery 6V, 3W
<b>Active Range</b>	Standard 0.11 - 0.15 m, START / STOP program 0.25 - 7.75 secs
<b>Recommended Flow Pressure</b>	0.1 - 0.6 Mpa (1-6 Bar)
<b>Rate of Flow</b>	3.8 l/min (6 l/min or 1.9L/m available on request)
<b>Water Inlet</b>	Male thread G 1/2"
<b>Dimensions</b>	Tap Ø 50mm, Nosing 210mm, Discharge height 300mm min from bottom of sink, Discharge depth 170mm
<b>Warranty</b>	24 Months
<b>Product Code</b>	SST43AC (Mains) SST43DC (Battery)



# Spartan Wall Mount Soap

<b>Supply Specification</b>	Stainless steel spout with electronics, grip plate, inlet hoses and cables in a protective tube 80 cm, peristaltic pump for liquid soap and container for liquid soap 1l
<b>Finish</b>	Stainless steel construction
<b>Power Supply</b>	Mains – 230V AC, 50 Hz (input) – 24V (output)
<b>Control</b>	Infrared sensor
<b>Voltage</b>	Mains 24V DC
<b>Active Range</b>	0.11 - 0.15m, START/STOP programme 1.3 - 13secs
<b>Dispenser Type</b>	Refillable liquid soap (1 litre)
<b>Recommended Soap Viscosity</b>	10 mPa*s - 5000 mPa*s (don't use chemical solvents and disinfectant)
<b>Dimensions</b>	Tap Ø 50mm, Nosing 164mm, Discharge height 300mm min from bottom of sink, Discharge depth 123mm
<b>Warranty</b>	24 Months
<b>Product Code</b>	SSS83WMAC (Mains)

