

DELTA

SENSOR TAPS

Hygienic

Water Efficient & Reliable

Basin Mounted



Saves Water

Just the amount of water you need, reducing consumption - no running water wasted! Incorporated 60 second timeout protection.

Low Battery Indicator

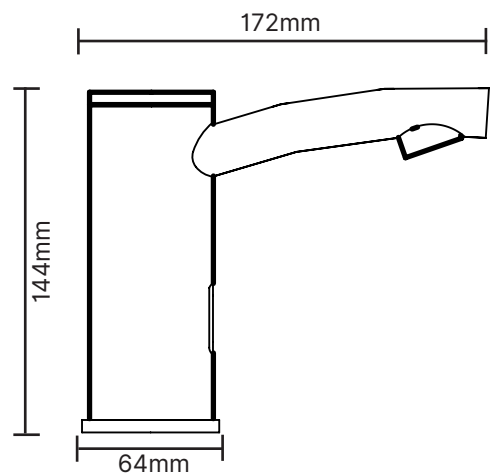
Sensor will flash, indicating batteries are low.

Parts Available

Further down their life, standardised parts availability enables quick and cost effective servicing and repairs.

Delta Plus

Faucet Body / Finish	Brass / Chrome
Power	DC 6V (4 x AA) Battery or 240V AC
Water Pressure	0.5-6 bar (7-85 PSI)
Water Temperature	5-55° C (optional extra thermostatic mixing valve)
Dimensions - Faucet	144H x 172D x 64W mm
Dimensions - Control Box	110H x 80D x 110W mm
Diameter of Inlet /Outlet	DN15, G1/2"
Warranty	12 Months (excludes batteries)
Product Code	DL3100D (Battery) DL3100A (Mains)



Delta

Faucet Body / Finish	Brass / Chrome
Power	DC 6V (4 x AA) Battery or 240V AC
Water Pressure	0.5-6 bar (7-85 PSI)
Water Temperature	5-55° C (optional extra thermostatic mixing valve)
Dimensions - Faucet	122H x 140D x 68W mm
Dimensions - Control Box	110H x 80D x 110W mm
Diameter of Inlet /Outlet	DN15, G1/2"
Warranty	12 Months (excludes batteries)
Product Code	DL1051D (Battery) DL1051A (Mains)

