

ffuuss one



Installation
& maintenance
instructions.

General Safety Information

WARNING - TO REDUCE THE RISK OF FIRE, ELECTRIC SHOCK OR INJURY TO PERSONS, OBSERVE THE FOLLOWING:

- Failure to disconnect the power source before installation can result in serious injury or death from electric shock. Always disconnect the power source before servicing or installing the hand dryer.
- Fixed wiring is recommended for all installations. Wiring should emerge from the wall in the position marked on the mounting diagram. All fixed wiring should incorporate a switch or breaker with a contact separation of at least 3mm in all poles.
- SPL (2021) Ltd accepts no responsibility for any damage or injury to property or persons caused by improper, incorrect or unreasonable use or installation.
- Failure to properly ground this unit could result in severe electrical shock and/or death. This hand dryer must be properly grounded (Earthed) for safe operation. An identified ground connection point is supplied on the chassis of the hand dryer. We recommend GFCI protection in wet or damp locations or as required by local code.
- Risk of fire, personal injury or property damage are possible if local codes, or safety recommendations are not followed. Installation must be carried out by a qualified person in accordance with all local wiring regulations.
- If the supply cord is damaged, it must be replaced by the manufacturer, its service agent or similarly qualified persons in order to avoid a hazard.
- The instructions contained within the Mounting Template must be followed carefully when installing this unit. Failure to accurately follow the instructions may result in the incorrect operation of this unit, damage to property and/or personal injury.
- This appliance is not intended for use by persons (including children) with reduced physical, sensory or mental capabilities, or lack of experience and knowledge, unless they have been given supervision or instruction concerning use of the appliance by a person responsible for their safety.
- Do not insert objects into the air outlet, doing so can be hazardous and could result in electric shock.
- Do not obstruct the air inlets or outlets in any way.
- Do service your hand dryer at regular intervals.

Operating Instruction and Parts Manual

Please read carefully before attempting to assemble, install, operate or maintain the product described. Protect yourself and others by observing all safety information. Failure to comply with instructions could result in personal injury and/or property damage. Retain instructions for future reference.

ffuuss one Hand Dryer

Description:

The ffuuss one high speed, quiet hand dryer has unique 'airhug' technology that fully envelops the hands with multiple tiny pockets of air within drying chamber. HEPA filtration and water collection tray ensure a cleaner bathroom environment.

Specifications

Cover	ABS - Treated with Biomaster Silver Ions antibacterial additive
Motor	Universal with Preheat, 23,000 RPM
Power	1100W
Element	Nil, fitted with preheat
Rating	220 -240V, 5A, 50/60Hz, IPX2
Filtration	HEPA H13 - treatment with antibacterial additives
Switching	Activation with capacitive sensor
Sound Levels	70dBA at 1.5m
Max Airflow	70 L/ s
Dimensions	635H x 322W x 250D mm
Weight	9.2kg
Warranty	The Supreme Comprehensive Hand Dryer Warranty - 36 Month Limited Warranty
Standards	Complies with New Zealand and Australian standards

Recommended Mounting Heights

From floor to mounting bracket:

Men's washroom	996mm
Ladies' washroom	946mm
Children's washroom	806mm
Disabled Person's	806mm

Planning

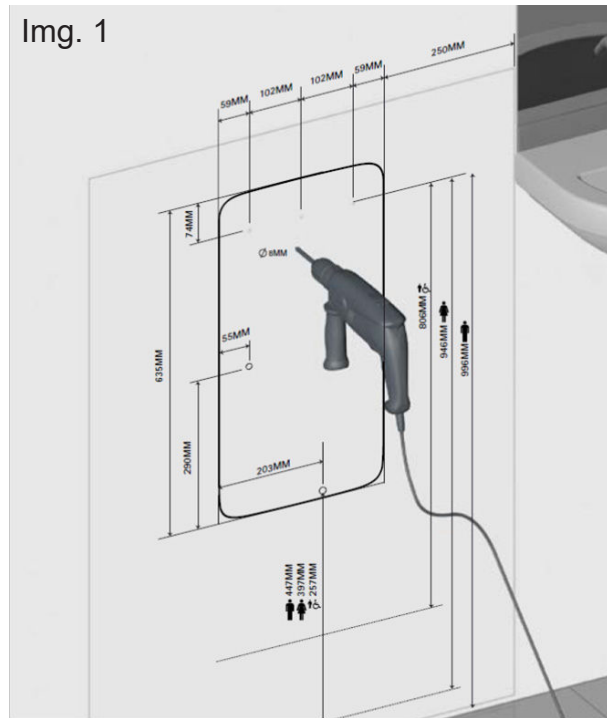
We suggest that one hand dryer be installed for every two hand basins.

Warning

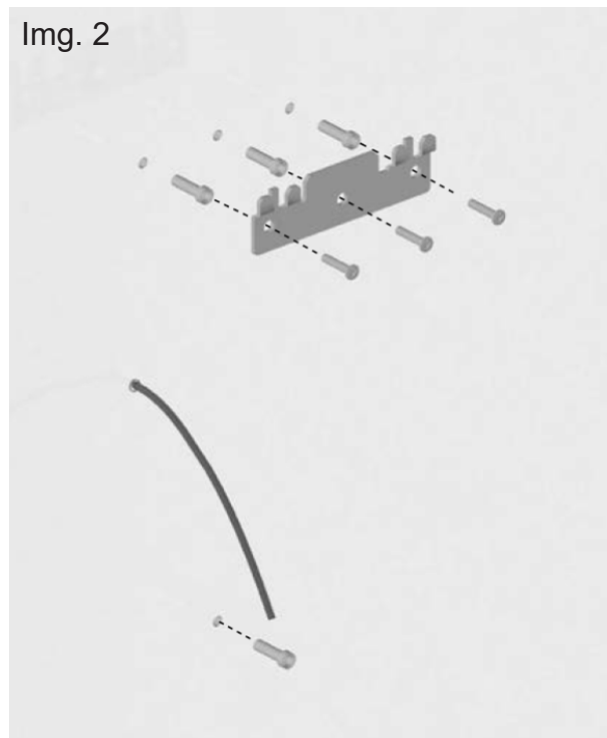
IMPORTANT INFORMATION - PLEASE READ BEFORE PROCEEDING TO ENSURE THE CORRECT FUNCTION OF THE FFUUS HAND DRYER

After installing the unit or each time the unit is restarted after an electrical disconnection, an automatic calibration of the capacitive sensors is performed which lasts for 6 minutes. During this time the unit should not be activated.

Installation Instructions



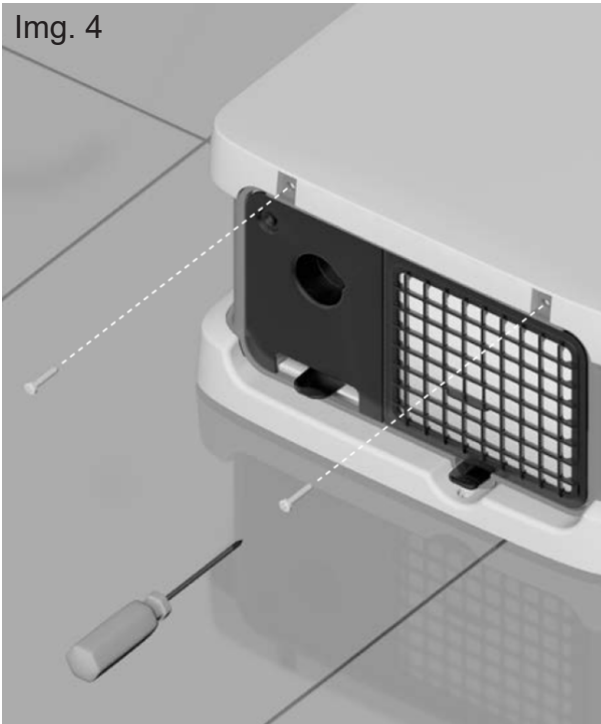
1. Place the hand dryer template against the wall where it will be installed and make the holes according to the diagram. Make sure the dryer is installed according to local standards.



2. Once the marks have been made, attach the wall bracket to the wall and prepare the cable to the electricity.

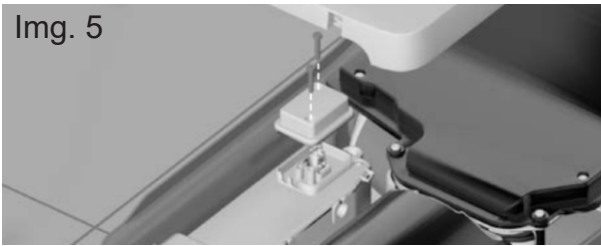


Img. 4

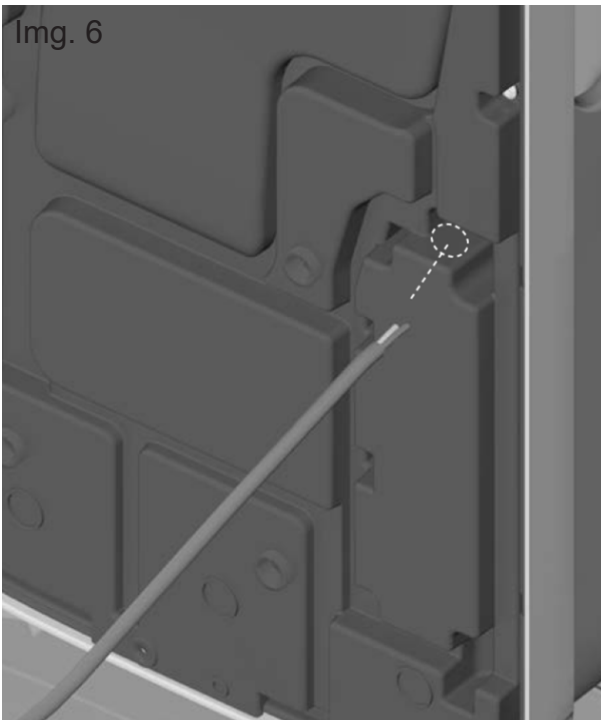


3. Take the the ffuuss from its packaging and open the front cover to install the electricity cable. Open the cover of the connector box which is where the cable to the network will be installed.

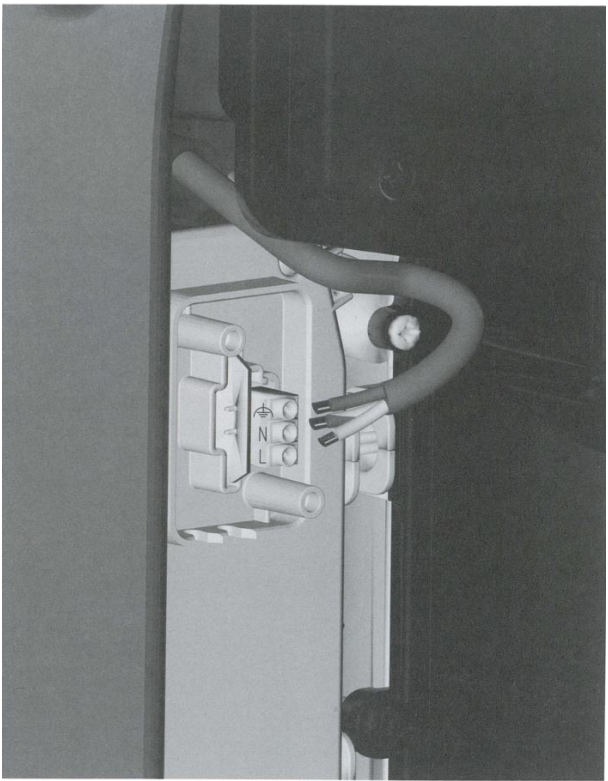
Img. 5



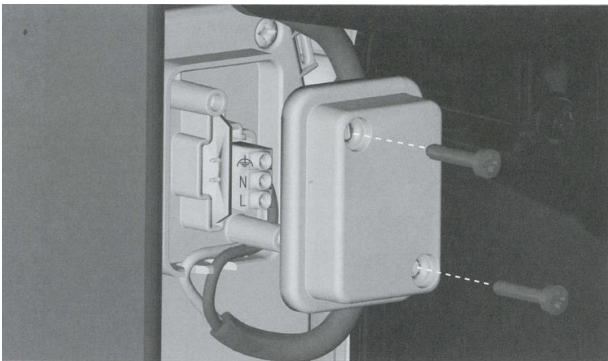
Img. 6



4. Introduce the electricity cable through the hole at the rear and pull it out from the front.

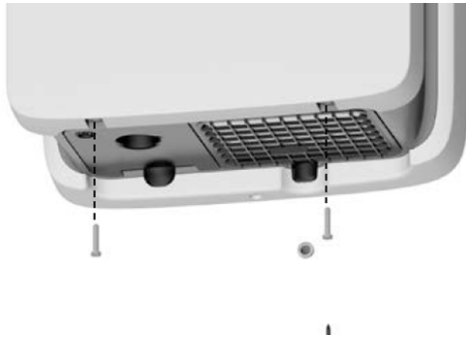


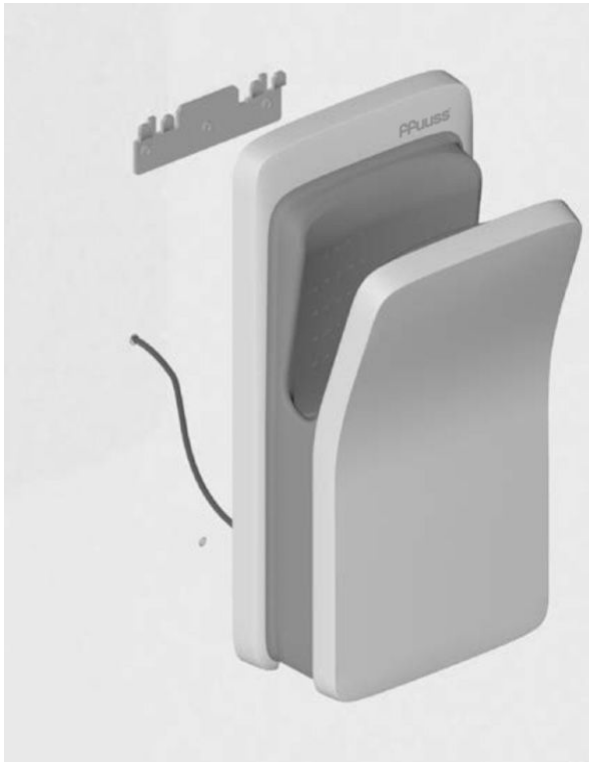
5. Once the cable has been passed through the hole, connect each end to its respective terminal, placing each one in the right path and then close the box.





6. After installing the cable, screw the cover closed.





7. Place the hand dryer on the wall bracket.

To assist with attaching correctly to the wall bracket, firstly locate the two mounting tabs on the bracket in the hand dryer back plate recesses. While pushing the top of the machine lightly down and back, just rock the complete machine right and left. When the dryer locates correctly the wall bracket tabs will pull the machine back to the wall. If you have a gap between the dryer and the wall, it is not located correctly.



8. Remove the air intake filter and fix the unit via the inner hole. Insert the filter and connect the unit.

Test

Make sure the power supply is connected to the ffuuss hand dryer.

WAIT 6 MINUTES.

Place hands between the capacitive sensors at the top of the ffuuss hand dryer to activate it and the air outlet. Keep hands in the drying zone until the cycle ends. Remove hands from the ffuuss hand dryer and it will turn off automatically.

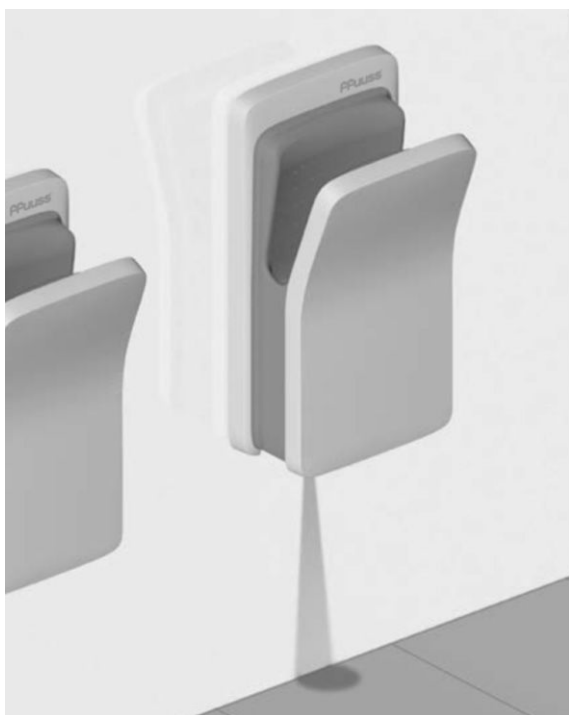
Maintenance and Cleaning Instructions

Cleaning Surfaces

Only clean the surfaces with a damp cloth. Do not use abrasive or caustic products.

Maintenance Advice

Check the air intake through the base of the ffuuss regularly and make sure that it is free from dust, dirt or any other particles. Also make sure that all the surfaces of the ffuuss are properly cleaned to ensure the correct function.



It is advisable to clean the filter every time the ffuuss hand dryer receives external maintenance. It is recommended the HEPA filter be replaced 12 monthly or more frequently in high use situations.



It is also advisable to clean the water pipe hole with the brush every time the ffuuss hand dryer is cleaned.

When a red spot is reflected on the floor, this means that the water tank is full. Empty the tank and clean it of any possible dirt. Put the tank back. Once the tank is empty, the red light will disappear.

We recommend a minimum monthly maintenance routine consisting of cleaning the surfaces and emptying and cleaning the water deposit.

Troubleshooting

Symptom	Possible cause	Corrective action
Dryer fails to start.	No power to unit.	Check power to unit and connections.
Hand dryer starts and turns off incorrectly.	False detection.	Check there are no obstructions or barriers in the drying chamber. If there are, remove them.
Sometimes the dryer turns off when in use then starts again after a while.	Recalibration required.	Turn the dryer off via the isolator switch (usually located above the dryer.) Wait 30 seconds before turning back on. Wait 6 minutes for automatic calibration before using the dryer. Do not activate the machine in this time period.
The ffuus TM hand dryer continues to function after hands have been removed.	No fault.	A 2 second delay after hands have been removed is acceptable.
The dryer is not drying hands properly.	Obstruction of air intake or outlet.	Verify and clean any obstructions in the inlet and monitor the state of the HEPA filter. Follow the maintenance recommendations.
Water accumulates in the base of the dryer.	Blocked drain.	Make sure the drain outlet is not blocked. If it is, clean and unblock it with brush provided.
The ffuus reflects a red spot on the floor.	Water tank is full.	Empty water tank and put it back. The red light will turn off.
The lights are on inside drying chamber but no air is blowing	Recalibration may be required.	Switch the hand dryer off at the wall, wait 30 seconds. Turn power supply back on and wait 6 minutes to allow for the recalibration of capacitive sensors.



Register your Hand Dryer

Scan the QR code using the camera app on your smart phone.

Upon registering you will receive a 5% discount code for your first online order and we will send you one annual maintenance reminder email.

Supreme Hand Dryer Limited Warranty

Your Supreme hand dryer is fully guaranteed against defective materials and faulty workmanship commencing from the date of sale (according to SPL's records), subject to it being installed and maintained in accordance with the manufacturer's instructions.

SPL (2021) Limited warrants that should any part of the dryer fail within the given warranty period (2- 5 years product dependant), it will be remedied by SPL.

The dryer should be returned to SPL (2021) Limited for all warranty claims. The cost of cartage will be payable by the customer.

Due to the significant variation in tradesmen's knowledge, experience, and productivity, labour charges will NOT be accepted unconditionally. We strongly recommend contacting our office for advice before proceeding with any warranty repairs.

This warranty excludes:

- Incorrect installation, or installation that does not specifically follow the installation guidelines supplied
- Defects arising from improper installation, or incorrect electrical supply where applicable
- Failure to follow manufacturer's maintenance instructions
- Damage/Failure resulting from:
 - the use of non-authorized parts
 - authorized parts not installed in accordance with the manufacturer's instructions
 - accidental damage, negligent use, misuse, vandalism, neglect
 - damage caused either directly or indirectly by external sources (power outages, power surges, incorrect power supply, natural disaster, or insect infestation)
- Water ingress caused by property maintenance or flooding
- Negligent cleaning practices (water ingress, harmful chemical etc)

The above includes consequential damage to any other goods, furnishings, or property.

- Normal wear and tear and consumable parts (HEPA filters, UV-C lamps, fuses, motor brushes etc)
- This warranty does not displace any statutory warranty in relation to the dryer but any liability of SPL (2021) Limited under any statutory warranty will be limited to a replacement or repair of the dryer or payment of the cost of such replacement or repair at the sole discretion of SPL (2021) Limited

SPL (2021) Limited
Cambridge 3434
New Zealand
p. +64 7 823 5790
e. office@splwashrooms.co.nz