

SUPREME

DRI BUBBLE



Installation
& maintenance
instructions.

General Safety Information

WARNING - TO REDUCE THE RISK OF FIRE, ELECTRIC SHOCK OR INJURY TO PERSONS, OBSERVE THE FOLLOWING:

- Failure to disconnect the power source before installation can result in serious injury or death from electric shock. Always disconnect the power source before servicing or installing the hand dryer.
- Fixed wiring is recommended for all installations. Wiring should emerge from the wall in the position marked on the mounting diagram. All fixed wiring should incorporate a switch or breaker with a contact separation of at least 3mm in all poles.
- SPL (2021) Ltd accepts no responsibility for any damage or injury to property or persons caused by improper, incorrect or unreasonable use or installation.
- Failure to properly ground this unit could result in severe electrical shock and/or death. This hand dryer must be properly grounded (Earthed) for safe operation. An identified ground connection point is supplied on the chassis of the hand dryer. We recommend GFCI protection in wet or damp locations or as required by local code.
- Risk of fire, personal injury or property damage are possible if local codes, or safety recommendations are not followed. Installation must be carried out by a qualified person in accordance with all local wiring regulations.
- If the supply cord is damaged, it must be replaced by the manufacturer, its service agent or similarly qualified persons in order to avoid a hazard.
- The instructions contained within the Mounting Template must be followed carefully when installing this unit. Failure to accurately follow the instructions may result in the incorrect operation of this unit, damage to property and/or personal injury.
- This appliance is not intended for use by persons (including children) with reduced physical, sensory or mental capabilities, or lack of experience and knowledge, unless they have been given supervision or instruction concerning use of the appliance by a person responsible for their safety.
- Do not insert objects into the air outlet, doing so can be hazardous and could result in electric shock.
- Do not obstruct the air inlets or outlets in any way.
- Do service your hand dryer at regular intervals.

Operating Instruction and Parts Manual

Please read carefully before attempting to assemble, install, operate or maintain the product described. Protect yourself and others by observing all safety information. Failure to comply with instructions could result in personal injury and/or property damage. Retain instructions for future reference.

Supreme DRI BUBBLE Hand Dryer

The Supreme Dri Bubble wall mounted high speed hand dryer with unique docking bracket to allow for self service, maintenance and replacement. Ultra hygienic HEPA filtration and UV-C sterilisation.

Specifications

Cover	ABS ION pure infused coating
Motor	Digital brushless DC Motor 300W. Max 30,000 RPM; Quiet Mode 21,000 RPM
Power	Max 320W / 720W total with heater; Quiet Mode: 130W / 530W total with heater; Standby < 0.5W
Element	400W - Switchable
Rating	220-240V AC , 50Hz, IPX3
Filtration	HEPA (H13)
Local Air Sterilisation	UV lamp & plasma ion generator operates sterilisation mode 1 hour on / 1 hour off cycle - Power 12W, Airspeed 17 m/s
Switching	Infrared sensor with blue light assist
Sound Levels	Max 72 dBA @ 1m; Quiet Mode 67dBA @ 1m
Air Velocity	Max: 96 m/s (345km/h); Quiet Mode 65 m/s
Air Volume	Max: 84m ³ /hr; Quiet Mode 57m ³ /hr
Dimensions	323H x 271W x 145D mm
Weight	2.6kg
Warranty	The Supreme Comprehensive Hand Dryer Warranty - 60 Month Limited Warranty
Standards	Complies with New Zealand and Australian Standards

Recommended Mounting Heights

From floor to top screws:

Men's washroom	1400mm
Ladies' washroom	1365mm
Children's washroom 10-13yrs	1208mm
Children's washroom 7-10yrs	1128mm
Children's washroom 4-7yrs	1028mm
Disabled Person's	1150mm

Planning

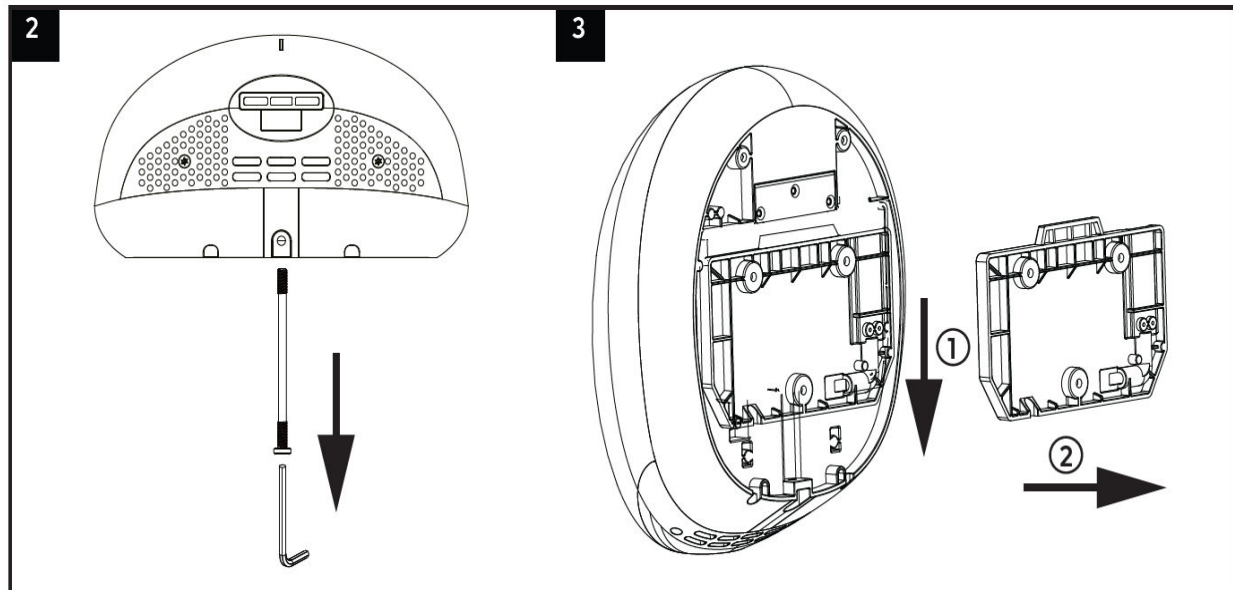
We suggest that one hand dryer be installed for every two hand basins.

NOTE: Dryer should not be installed over bench tops or a reflective surface.

Installation Instructions

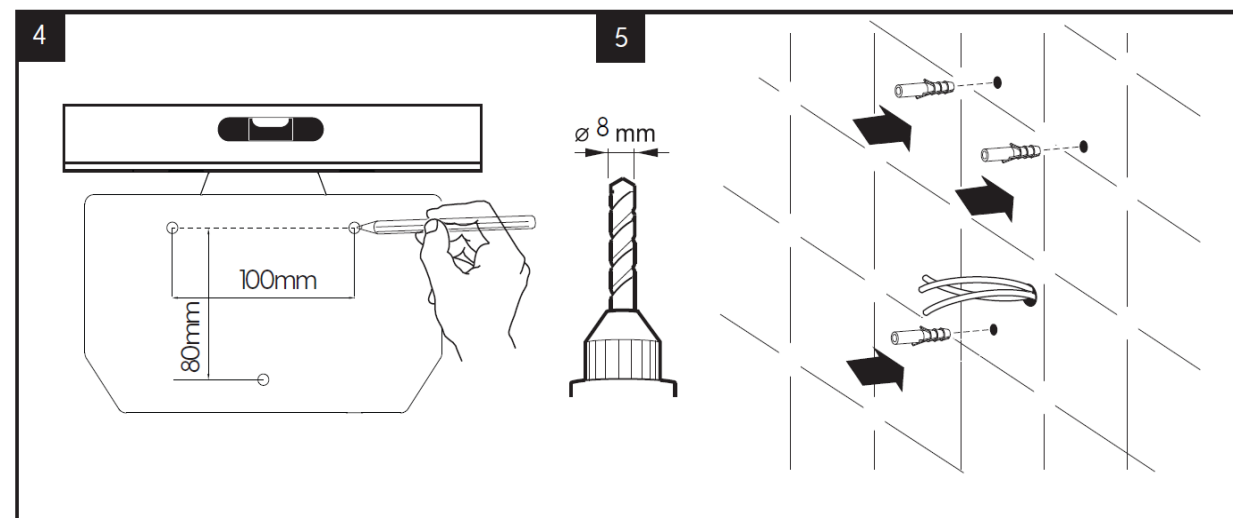
1. Wall Bracket Removal

1. Place the main cover on a cloth to avoid marking its surface.
2. Using the security key provided, remove one security screw located on the bottom of the unit. (Fig 2).
3. Pull down the wall mounting bracket and remove from the unit. (Fig 3).



2. Positioning

1. Mark the location on the wall with a pencil. Use the mounting template provided to mark three fixing points (Fig 4).
2. Pre-drill the wall in the marked location using 8mm drill, insert the plastic anchors and tap flush to the wall. Provide a proper cable exit (Fig 5).



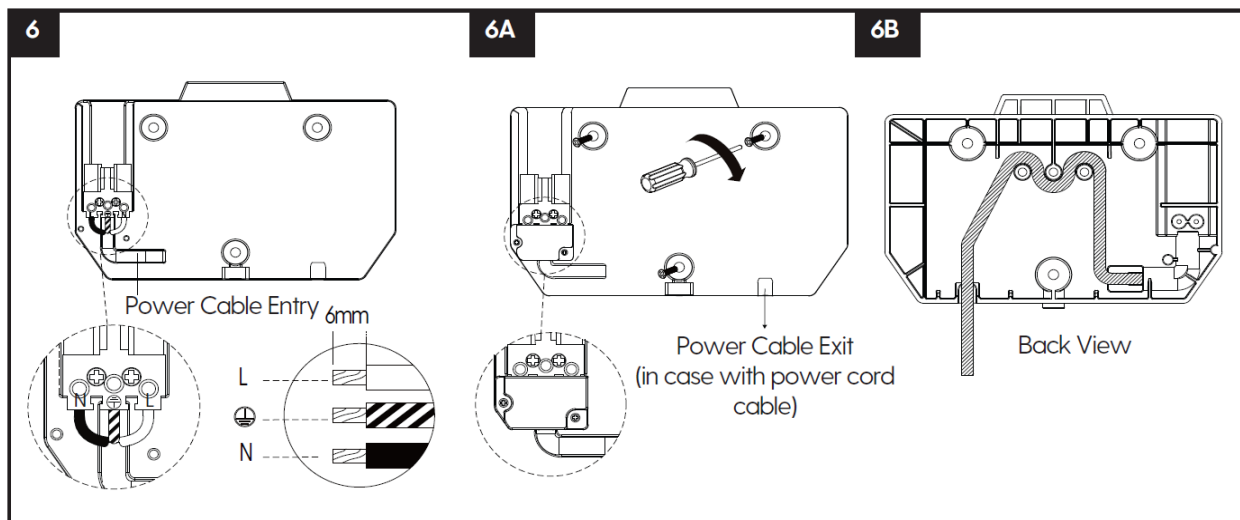
NOTE: The unit must be mounted on a flat vertical wall capable of supporting the full weight of the unit.

3. Installing Power Cable and Connection Terminal Block

1. Pull the cable through the hole in the wall mounting bracket. Ensure the cable is long enough to route correctly through the wall mounting bracket to the terminal block (Fig 6).
2. The cable must sit in the dedicated channel. If the cable is coming through the power cable entry from outside, it is recommended that the cable is routed via the 3 bosses as in Fig 6B.
3. As shown below, connect cable to terminal block.
4. Screw in terminal block.
5. Fix the wall mounting bracket to the wall. Screw to the wall using the appropriate fitting (Fig 6A).
6. Fix the cable cover with the screw on the wall mounting bracket.

CAUTION: Connect the ground wire to the terminal block marked 

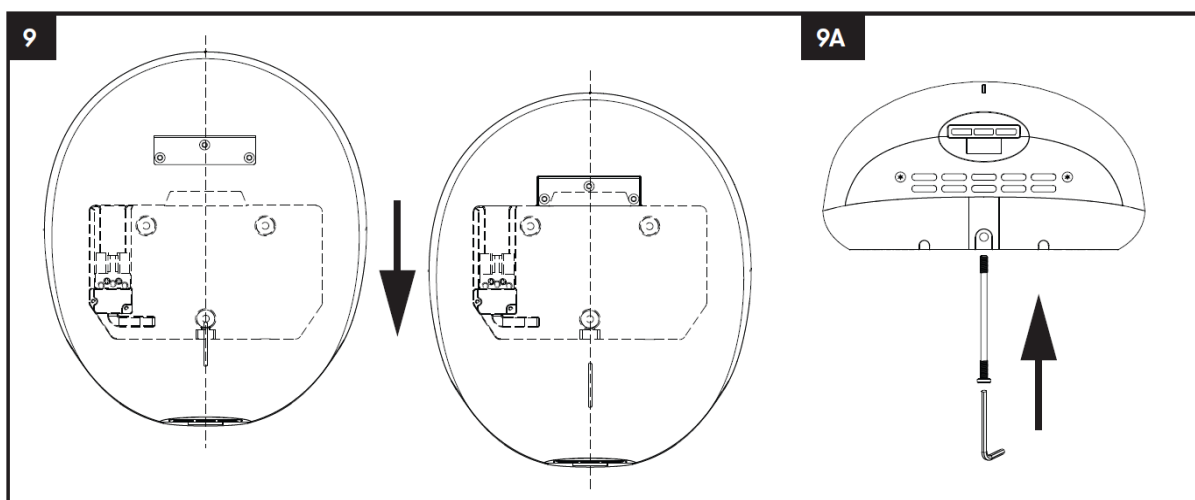
Do not over-tighten and crush the power cable.



4. Fix the Main Unit to Wall Mounting Bracket

1. Position the unit centrally above the wall mounting bracket so the metal bracket on the rear is positioned over the mating part of the wall bracket moulding. Keeping the dryer firmly against the wall, slowly slide the dryer down until there is no further movement. The dryer should then be electrically connected (Fig 9).
2. Insert and tighten the security screw seated on the bottom of surface (Fig 9A).
3. Turn unit on and test operation. The LED light on the cover should flash 3 times with a red light after the power supply has been correctly connected and followed by continuous light white LED.

Note: If the LED light remains off, the unit must be refitted correctly.



The unit has a built in UV-C lamp, avoid exposure to direct germicidal UV rays.

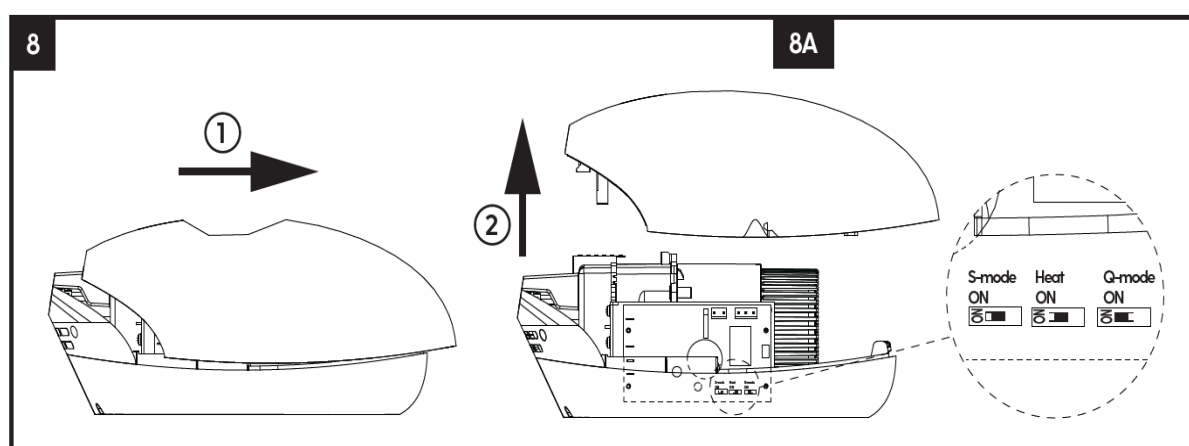
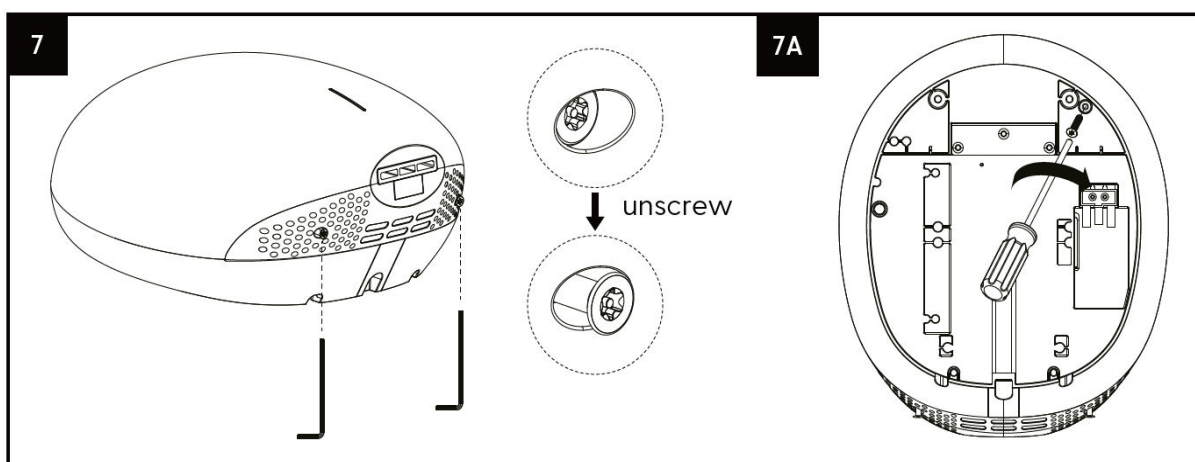
Options: Heater, Quiet Mode & Air Sterilisation

IMPORTANT: Turn power OFF at the isolater switch before performing next steps.

1. Remove one security screw located on the bottom of the unit, using the security hex key provided (Fig 2).
2. Lift the unit off the wall mounting bracket.

NOTE: Ensure the LED light on the front of the unit is OFF before opening the front cover, if the LED light is still ON, wait until the light goes off.

3. Remove two cover screws from bottom of the dryer using security hex key (Fig 7). Screws are designed to remain captive within the channel.
4. Remove one cover screw from back of unit, using a Phillips screw driver (Fig 7A).
5. Lift the front cover off the unit (Fig 8).
6. To turn **Heater** on/off, use middle switch shown in Fig 8A (Factory set ON)
7. To change to **Quiet Mode**, use switch on right shown in Fig 8A (Factory set OFF).
8. To turn on/off **Air Sterilisation**, use switch on left shown in Fig 8A (Factory set ON).



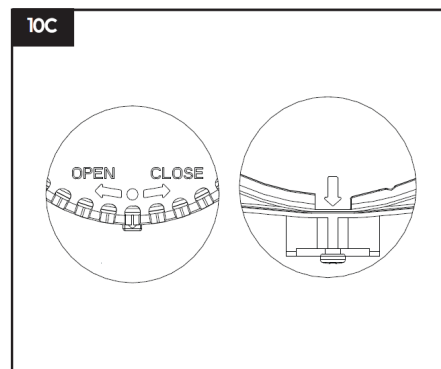
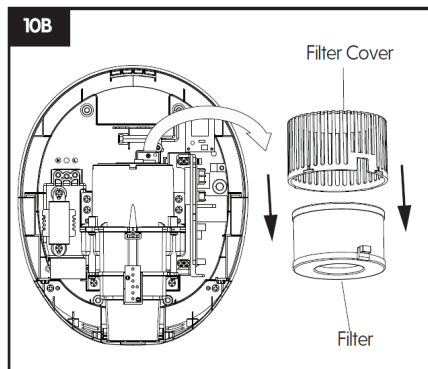
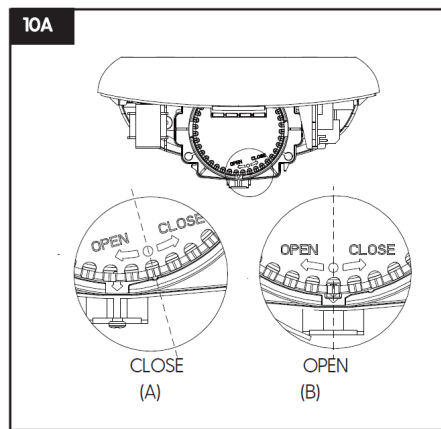
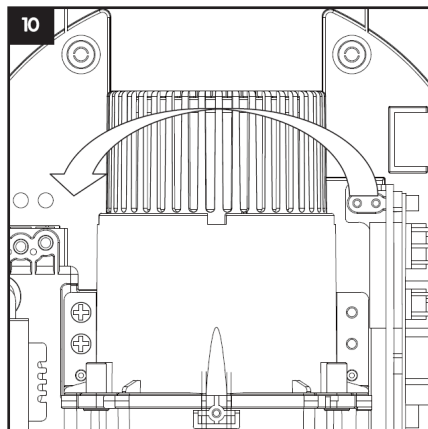
HEPA Filter Replacing

Red flashing LED light on front of unit indicates HEPA filter needs replacing. The filter functions for approximately 60,000 operations.

1. Remove the filter cover shown in pages 7 & 8.
2. Turn the filter cover to open direction (Fig 10). The dot is aligned with the arrow present on the motor cover (Fig 10A).

NOTE: Ensure the LED light on the front of the unit is OFF before opening the front cover, if the LED light is still ON, wait until the light goes off.

3. Remove the filter (Fig 10B).
4. Replace with new HEPA filter. Ensure the dot on the filter cover is aligned with the arrow on the motor cover (Fig 10C).
5. Turn the filter cover to close direction. The dot is positioned to the right of the arrow on the motor cover (Fig 10A-A)



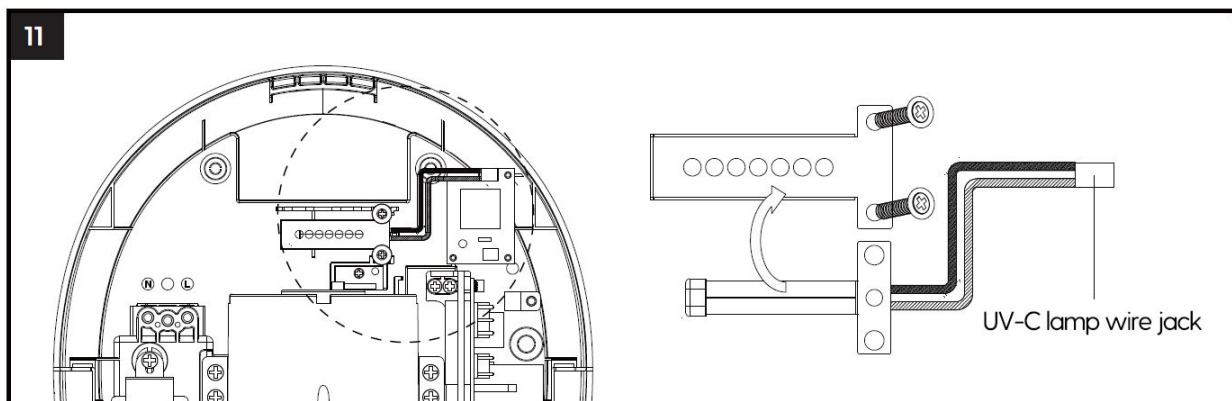
WARNING - HEPA filter will need to be replaced after 60,000 operations but will continue working for a further 15,000 operations without the benefits of the HEPA filter. At approximately 75,000 operations the red LED will begin to flash and the unit will stop working until a replacement filter is fitted.

UV-C Lamp Replacement

The sterilisation function of UV-C lamp will be weakened after 3 years use, the UV-C lamp needs to be replaced for maintaining proper function.

1. Remove the filter cover and filter shown in pages 7 & 8.
2. Remove the two cover screws on the UV-C lamp cover and remove UV-C lamp cover and pull the UV-C lamp wire jack from the UV light board.(Fig 11).
3. Insert the new UV-C lamp and replace the UV-C lamp cover. Tighten the two screws and replace the wire jack on the UV-C lamp board.
4. Replace the filter then re-attach front cover.

NOTE: On power up should the red LED continue to flash, refit the filter.



Maintenance and Cleaning

Regular Maintenance

Cleaning and maintenance must not be undertaken until the unit has been removed from the mounting bracket and power has been disconnected.

1. Regularly clean the outer casing using a soft, damp cloth to gently wipe away any dirt

CAUTION: Never use abrasives or chemical to clean the cover. Do not soak.

Periodical Deep Clean

1. Use security hex key to remove the top cover security screws.
2. Remove the cover.
3. Clean all dust and lint from the interior of the hand dryer.
4. Replace the cover.
5. Wipe the cover with a damp cloth.



Register your Hand Dryer

Scan the QR code using the camera app on your smart phone.

Upon registering you will receive a 5% discount code for your first online order and we will send you one annual maintenance reminder email.

Troubleshooting

Symptom	Possible Cause	Corrective Action
Red LED continues to flash after replacing HEPA filter	Filter is not fitted correctly	Refit HEPA filter, making sure the dot is aligned to the right arrow on the motor cover.
Dryer fails to start	Defective PCB	If no LED's are lit above and supply circuit is confirmed to be active, replace PCB and transformer.
	HEPA filter needs replacing (LED will be flashing red)	HEPA filter will need to be replaced after 60,000 operations but will continue working for a further 15,000 operations without the benefits of the HEPA filter. At approximately 75,000 operations the red LED will begin to flash and the unit will stop working until a replacement filter is fitted.

OPERATING LED LIGHT

LED Lighting for Standard and Black Edition

Front Cover Colour	Standby Mode	Working mode	Sterilisation Mode
White/Silver	White LED ON	White fast mode	White LED slow mode
Black Edition	Red LED ON	Red LED fast mode	Red LED slow mode

Filter Alert Lighting

Filter Uses	Light	Standby/Sterilisation Mode	Working Mode/Sensing Mode
From 60,000 uses - 74,999 uses	White LED	White LED ON/White LED slow mode	White LED ON fast mode
	Red LED	Red LED flashing	OFF
	Location LED (blue)	OFF	ON
75,000 uses until filter replaced	White LED	White LED ON slow mode	White LED ON slow mode
	Red LED	Red LED flashing	Red LED flashing
	Location LED (blue)	OFF	Flashing

Supreme Hand Dryer Limited Warranty

Your Supreme hand dryer is fully guaranteed against defective materials and faulty workmanship commencing from the date of sale (according to SPL's records), subject to it being installed and maintained in accordance with the manufacturer's instructions.

SPL (2021) Limited warrants that should any part of the dryer fail within the given warranty period (2- 5 years product dependant), it will be remedied by SPL.

The dryer should be returned to SPL (2021) Limited for all warranty claims. The cost of cartage will be payable by the customer.

Due to the significant variation in tradesmen's knowledge, experience, and productivity, labour charges will NOT be accepted unconditionally. We strongly recommend contacting our office for advice before proceeding with any warranty repairs.

This warranty excludes:

- Incorrect installation, or installation that does not specifically follow the installation guidelines supplied
- Defects arising from improper installation, or incorrect electrical supply where applicable
- Failure to follow manufacturer's maintenance instructions
- Damage/Failure resulting from:
 - the use of non-authorized parts
 - authorized parts not installed in accordance with the manufacturer's instructions
 - accidental damage, negligent use, misuse, vandalism, neglect
 - damage caused either directly or indirectly by external sources (power outages, power surges, incorrect power supply, natural disaster, or insect infestation)
- Water ingress caused by property maintenance or flooding
- Negligent cleaning practices (water ingress, harmful chemical etc)

The above includes consequential damage to any other goods, furnishings, or property.

- Normal wear and tear and consumable parts (HEPA filters, UV-C lamps, fuses, motor brushes etc)
- This warranty does not displace any statutory warranty in relation to the dryer but any liability of SPL (2021) Limited under any statutory warranty will be limited to a replacement or repair of the dryer or payment of the cost of such replacement or repair at the sole discretion of SPL (2021) Limited

SPL Limited
Cambridge 3434
New Zealand
p. +64 7 823 5790
e. office@splwashrooms.co.nz