

SUPREME

DRI BUBBLE



HEPA Filter
Energy Efficient
Quiet



UV Sterilisation & Plasma ION Generator

Next generation engineering includes a UV-C lamp which operates on sterilisation mode for 1 hour on/ 1 hour off cycle, killing germs and bacteria while the ION generator further neutralises pollutants and odours.

Click & Connect

Bespoke hard wired docking station allows easy installation, maintenance and replacement without the need for an electrician.

Q Mark Accredited

Two sound modes for different washroom contexts. In quiet mode, sound levels are as low as 67dBA.

Clever Lighting

Smart lighting indicates standby, drying and sterilisation modes, plus HEPA filter change.

SPL

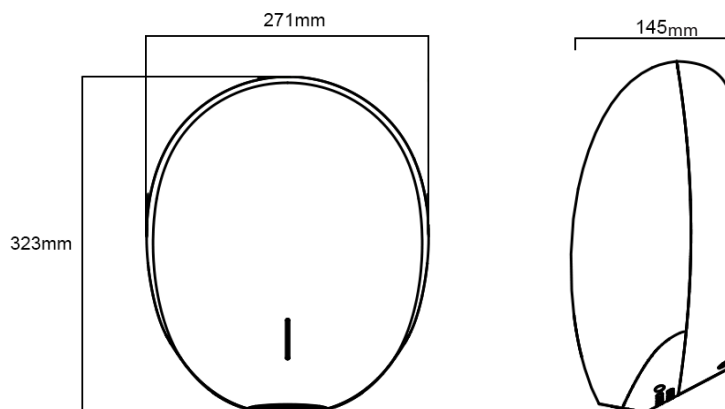
SUPREME

DRI BUBBLE

The Supreme dri bubble offers a futuristic aesthetic matched with smart next-generation engineering to deliver ultra-clean hands with HEPA and UV-C sterilisation plus ultimate energy efficiency.

High-use washrooms that call for a compact, efficient and stylish hand dryer are enhanced with dri bubble.

Dimensions



Metallic White
SDB110



Metallic Grey
SDB120



Metallic Black
SDB130

Specifications

Cover	ABS ION pure infused coating
Motor	Brushless DC 300W, Max: 30,000 RPM; Quiet: 21,000 RPM
Power	Max: 320W, 720W total with heater; Quiet: 130W, 530W total with heater. Standby < 0.5W
Element	400W - switchable
Rating	220-240V AC , 50Hz, IPX3
Filtration	HEPA (H13)
Air Sterilisation	UV lamp & plasma ion generator operates 1 hour on / 1 hour off cycle. Power 12W, Airspeed 17 m/s
Switching	Infrared sensor with blue light assist
Sound Levels	Max: 72 dBA @ 1m; Quiet: 67dBA @ 1m
Air Velocity	Max: 96 m/s (345km/h); Quiet: 65 m/s
Air Volume	Max: 84m3/hr; Quiet: 57m3/hr
Dimensions	323H x 271W x 145D mm
Weight	2.6kg
Warranty	Supreme hand dryer 60 month limited warranty
Standards	Complies with New Zealand & Australian standards

Hepa Filter



Efficient



Quiet

