

# SUPREME

## BA101

Robust  
New Zealand Made  
Easy Use



**Suitable over  
Reflective Surfaces**

Due to the recessed drying chamber, the BA101 can be installed over a bench or reflective surface, making it ideal above stainless steel benches.

**Unique Drying  
Chamber**

The small compartment encloses the warm air, drying fast and economically around your hands.

**Made in  
New Zealand**

Local manufacture and parts supply ensures availability, reliability and sustainability.

**25+ Years  
on the Market**

Designed and built right here since 1997, the BA is the undisputed OG of hand dryers.

# SUPREME

## BA101

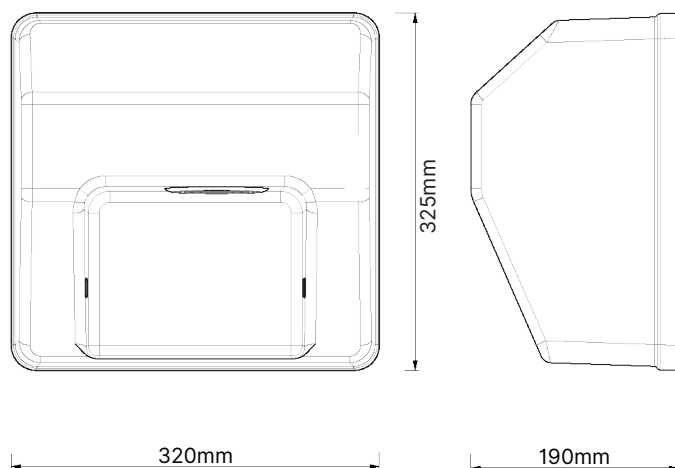
The undisputed 'OG' of hand dryers, SPL's Supreme BA101 has proven itself for more than 25 years with its bombproof design and robust build quality.

The BA101 offers no-nonsense performance and reliability and is a cost effective solution for busy public washrooms.



White  
BA101

### Dimensions



### Specifications

<b>Cover</b>	ABS, Polycarbonate blend
<b>Motor</b>	190W, 6670 rpm, tropic proofed
<b>Power</b>	2000W
<b>Element</b>	2000W, heavy duty, protected by a resettable cut out and thermal fuse
<b>Fan</b>	Glass reinforced nylon, delivery 4.25cu metres air per min
<b>Rating</b>	230 - 240V AC, 50Hz, IP22
<b>Switching</b>	Make or break infrared sensor
<b>Sound Levels</b>	65 dBA @ 1.5m
<b>Dimensions</b>	320W x 325H x 190D mm
<b>Weight</b>	3.2kg
<b>Warranty</b>	Supreme hand dryer 24 month limited warranty
<b>Standards</b>	Complies with New Zealand and Australian standards

Robust



Made in NZ



Easy Use

