

SUPREME

AIRFORCE



Fast Dry Time
Energy Efficient
Robust



Hygienic Antimicrobial Technology

The Steri-Touch antimicrobial coating on the exterior surface reduces the growth of bacteria and fungi for added resistance against germs and illness.

Robust, Vandal Resistant

Tough die cast aluminium (or brushed stainless steel) with smooth rounded exterior resists vandalism.

Multi-Jet Air Delivery

11 small uniquely designed multi-nozzled air vents drive tempered air at 330km/hr, delivering a fast and even 12 second dry time.

Greenspec Listed

Identifies and endorses green building products.

SUPREME

AIRFORCE

SPL's Greenspec listed Supreme Airforce hand dryer offers impressive performance and robust build quality.

A powerful and energy efficient motor dries hands quickly making it the right choice for high-traffic washrooms.



White
WD136588



Chrome
WD136589

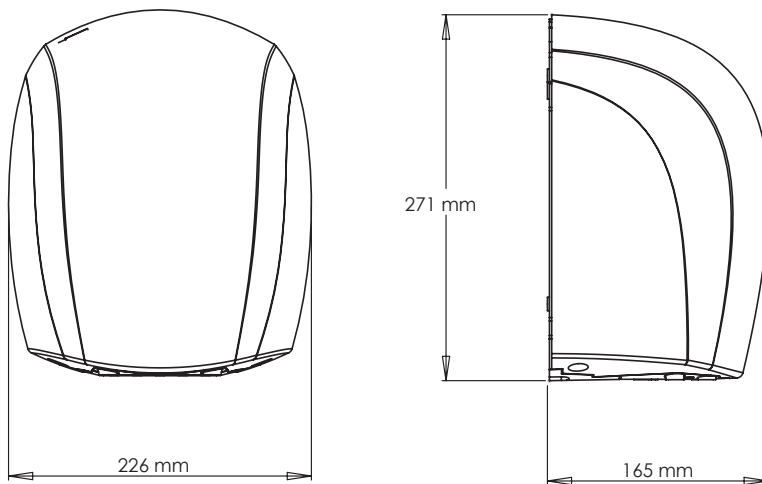


Black
WD136590



Brushed Stainless Steel
WD136591

Dimensions



Specifications

Cover	Die cast aluminium or brushed stainless steel with SteriTouch finish
Motor	Universal brushed 34,000 rpm
Power	1100W
Element	Nil - ambient temperature. Air warms as it passes over motor
Rating	220-240V AC, 50/60Hz, IP24
Switching	Infrared sensor
Sound Levels	75dBA @ 1.5m
Max Airflow	178 m ³ /hour @ 330km/h
Dimensions	271H x 266W x 165D mm
Weight	3.1kg
Warranty	Supreme hand dryer 36 month limited warranty
Standards	Complies with New Zealand & Australian standards

Fast Dry Time



High Speed



Efficient

